



Dynalite Relay Controllers

DDRC810DT-GL

8 channel Relay Controller for any switched load up to 10A per channel, with a maximum box load of 40A.

8 channel Relay Controller for any switched load up to 10A per channel, with a maximum box load of 40A.

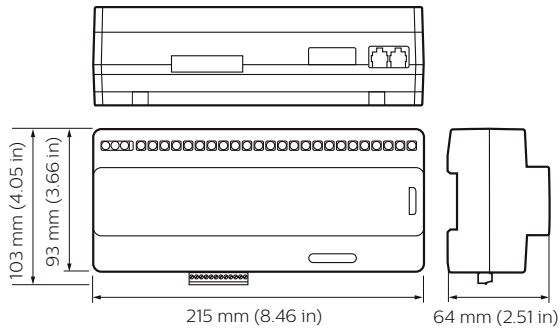
Product data

| General Information | |
|---------------------------|---|
| CE mark | CE mark |
| Remarks | Please download the Lighting - Product Data Sheet for more information and ordering options |
| RoHS mark | RoHS mark |
| Application Conditions | |
| Ambient temperature range | 0 to +50 °C |
| Product Data | |
| Full product code | 871869600688700 |

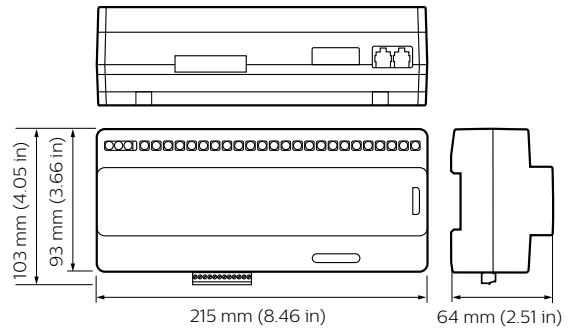
| | |
|---------------------------------|---------------|
| Order product name | DDRC810DT-GL |
| EAN/UPC – product | 8718696006887 |
| Order code | 00688700 |
| Numerator – quantity per pack | 1 |
| Numerator – packs per outer box | 1 |
| Material no. (12NC) | 913703035209 |
| Net weight (piece) | 490.000 g |

Dynalite Relay Controllers

Dimensional drawing



Dynalite Relay Controllers



Dynalite Relay Controllers

