



Dynalite Relay Controllers

DDRC810DT-GL

8 channel Relay Controller for any switched load up to 10A per channel, with a maximum box load of 40A.

8 channel Relay Controller for any switched load up to 10A per channel, with a maximum box load of 40A.

Product data

General Information	
CE mark	CE mark
Remarks	Please download the Lighting - Product Data Sheet for more information and ordering options
EU RoHS compliant	Yes

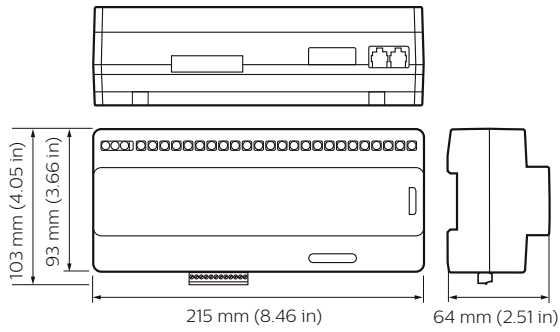
Application Conditions	
Ambient temperature range	0 to +50 °C

Product Data	
Full product code	871869600688700

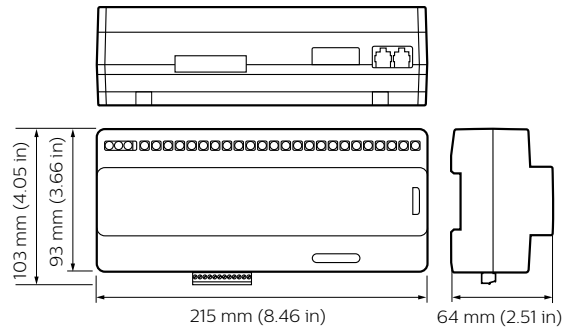
Order product name	DDRC810DT-GL
EAN/UPC - Product	8718696006887
Order code	913703035209
Numerator - Quantity Per Pack	1
Numerator - Packs per outer box	1
Material Nr. (12NC)	913703035209
Net Weight (Piece)	490.000 g

Dynalite Relay Controllers

Dimensional drawing



Dynalite Relay Controllers



Dynalite Relay Controllers

