



# Dynalite LED PWM Controllers

## DDLEDC605GL

PWM Controller to directly drive LED fittings with pulse width modulation technology

PWM Controller to directly drive LED fittings with pulse width modulation technology

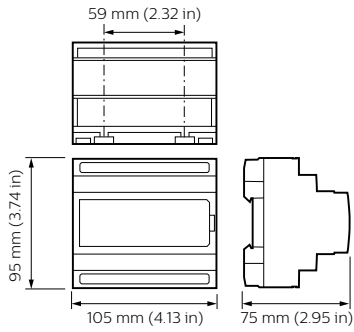
### Product data

General Information	
CE mark	CE mark
C-Tick	C-Tick
Remarks	Please download the Lighting - Product Data Sheet for more information and ordering options
RoHS mark	RoHS mark
Application Conditions	
Ambient temperature range	0 to +40 °C
Product Data	
Full product code	871016351646200

Order product name	DDLEDC605GL
EAN/UPC - Product	8710163516462
Order code	913703061209
Numerator - Quantity Per Pack	1
Numerator - Packs per outer box	1
Material Nr. (12NC)	913703061209
Net Weight (Piece)	0.207 kg

# Dynalite LED PWM Controllers

## Dimensional drawing



Dynalite Trailing Edge Dimmers

