



Dynalite LED PWM Controllers

DDLEDC605GL

PWM Controller to directly drive LED fittings with pulse width modulation technology

PWM Controller to directly drive LED fittings with pulse width modulation technology

Product data

General Information	
CE mark	CE mark
C-Tick	C-Tick
Remarks	Please download the Lighting - Product Data Sheet for more information and ordering options
RoHS mark	RoHS mark

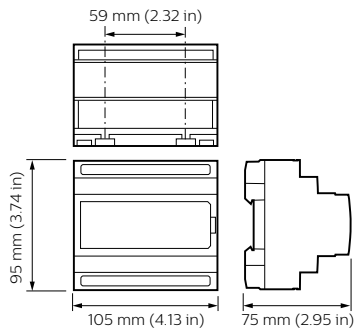
Application Conditions	
Ambient temperature range	+32 to +104 °F

Product Data	
Order product name	DDLEDC605GL

EAN/UPC - Product	8710163516462
Order code	913703061209
Local order code	.
Numerator - Quantity Per Pack	1
Numerator - Packs per outer box	1
Material Nr. (12NC)	913703061209
Net Weight (Piece)	0.207 kg

Dynalite LED PWM Controllers

Dimensional drawing



Dynalite Trailing Edge Dimmers

