



# Dynalite Network Accessories

## DMAL120F-V2

Active Load to improve dimming performance and reduce lamp flicker

Active Load to improve dimming performance and reduce lamp flicker

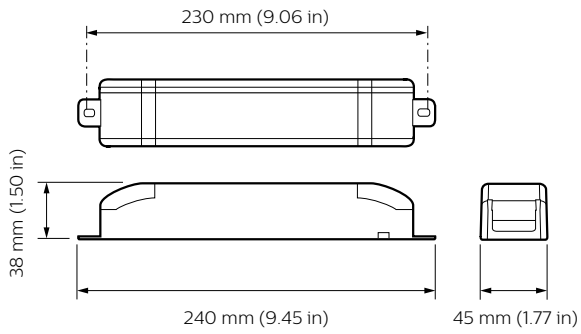
### Product data

General Information	
CE mark	CE mark
Remarks	Please download the Lighting - Product Data Sheet for more information and ordering options
Application Conditions	
Ambient temperature range	0 to +60 °C
Product Data	
Full product code	871869600143100

Order product name	DMAL120F
EAN/UPC – product	8718696001431
Order code	00143100
Local Code	DMAL120F-V2
Numerator – quantity per pack	1
Numerator – packs per outer box	1
Material no. (12NC)	913703061609
Net weight (piece)	118.000 g

## Dynalite Network Accessories

### Dimensional drawing



Dynalite Network Accessories

