



Dynalite Sensors

DUS804CS-UP

Surface mount ceiling sensor with ultrasonic capability

Surface mount ceiling sensor with ultrasonic capability

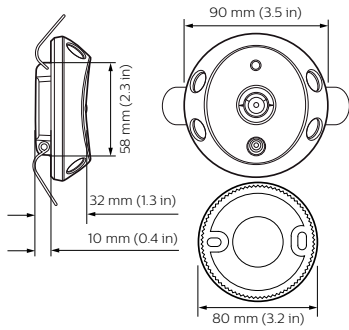
Product data

General Information	
CE mark	CE mark
Remarks	Please download the Lighting - Product Data Sheet for more information and ordering options
RoHS mark	RoHS mark
Application Conditions	
Ambient temperature range	0 to +45 °C
Product Data	
Full product code	871016352202900

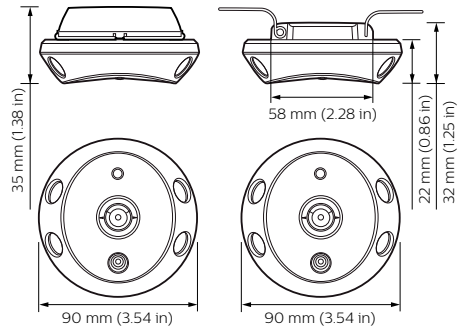
Order product name	DUS804CS-UP
EAN/UPC – product	8710163522029
Order code	52202900
Numerator – quantity per pack	1
Numerator – packs per outer box	1
Material no. (12NC)	913703070409
Net weight (piece)	83.500 g

Dynalite Sensors

Dimensional drawing



Dynalite Sensors



Dynalite Sensors

