



Dynalite Sensors

DUS804CS-UP

Surface mount ceiling sensor with ultrasonic capability

Surface mount ceiling sensor with ultrasonic capability

Product data

| General Information | |
|---------------------|---|
| CE mark | CE mark |
| Remarks | Please download the Lighting - Product Data Sheet for more information and ordering options |
| EU RoHS compliant | Yes |

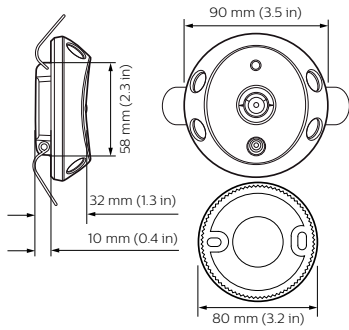
| Application Conditions | |
|---------------------------|-------------|
| Ambient temperature range | 0 to +45 °C |

| Product Data | |
|-------------------|-----------------|
| Full product code | 871016352202900 |

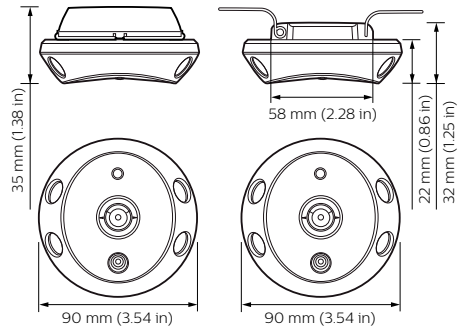
| | |
|---------------------------------|---------------|
| Order product name | DUS804CS-UP |
| EAN/UPC - Product | 8710163522029 |
| Order code | 913703070409 |
| Numerator - Quantity Per Pack | 1 |
| Numerator - Packs per outer box | 1 |
| Material Nr. (12NC) | 913703070409 |
| Net Weight (Piece) | 83.500 g |

Dynalite Sensors

Dimensional drawing



Dynalite Sensors



Dynalite Sensors

