



Dynalite System Integration

DIR-TX8

DIR-TX8 Infrared Transmitter for cost-effective integration and control

DIR-TX8 Infrared Transmitter for cost-effective integration and control

Product data

General Information

CE mark	CE mark
Remarks	Please download the Lighting - Product Data Sheet for more information and ordering options
EU RoHS compliant	Yes

Application Conditions

Ambient temperature range	0 to +50 °C
---------------------------	-------------

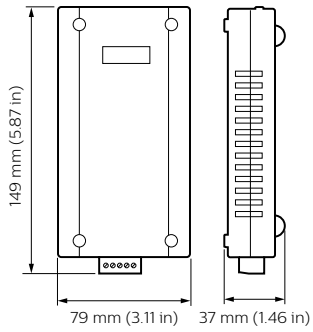
Product Data

Full product code	871016350772900
-------------------	-----------------

Order product name	DIR-TX8
EAN/UPC - Product	8710163507729
Order code	913703080009
Numerator - Quantity Per Pack	1
Numerator - Packs per outer box	1
Material Nr. (12NC)	913703080009
Net Weight (Piece)	0.280 kg

Dynalite System Integration

Dimensional drawing



Dynalite System Integration

