



# Dynalite Integration Devices

## DDNI-LON

Single point LON interface

Single point LON interface

### Product data

General Information	
CE mark	CE mark
Remarks	Please download the Lighting - Product Data Sheet for more information and ordering options
EU RoHS compliant	Yes
Application Conditions	
Ambient temperature range	0 to +50 °C
Product Data	
Full product code	871016350790300

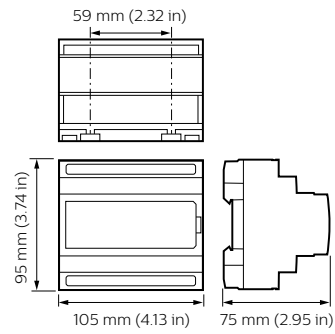
Order product name	DDNI-LON
EAN/UPC - Product	8710163507903
Order code	913703081409
Numerator - Quantity Per Pack	1
Numerator - Packs per outer box	1
Material Nr. (12NC)	913703081409
Net Weight (Piece)	0.170 kg

# Dynalite Integration Devices

## Dimensional drawing



Dynalite System Integration



Dynalite System Integration

