



# Dynalite Network Accessories

## DTK622-232

Network gateway for passive integration to a PC or RS232 system. Also available as DTK622-USB (913703090209)

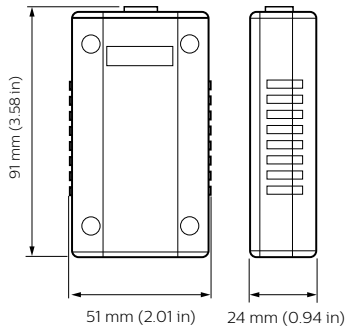
Network gateway for passive integration to a PC or RS232 system. Also available as DTK622-USB (913703090209)

### Product data

General Information		Order product name	DTK622-232
CE mark	CE mark	EAN/UPC - Product	8710163508023
Remarks	Please download the Lighting - Product Data Sheet for more information and ordering options	Order code	913703090109
RoHS mark	RoHS mark	Numerator - Quantity Per Pack	1
		Numerator - Packs per outer box	1
		Material Nr. (12NC)	913703090109
		Net Weight (Piece)	0.230 kg
Application Conditions			
Ambient temperature range	0 to +40 °C		
Product Data			
Full product code	871016350802300		

## Dynalite Network Accessories

### Dimensional drawing



Dynalite Network Accessories

