



# Dynalite Relay Controllers

## DDRC420FR

4 channel Relay Controller for all types of switched loads up to 20A inductive.

4 channel Relay Controller for all types of switched loads up to 20A inductive.

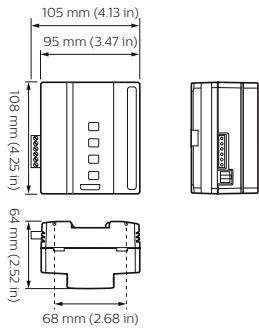
### Product data

General Information	
CE mark	CE mark
Remarks	Please download the Lighting - Product Data Sheet for more information and ordering options
EU RoHS compliant	Yes
Application Conditions	
Ambient temperature range	0 to +50 °C
Product Data	
Full product code	87186968881700

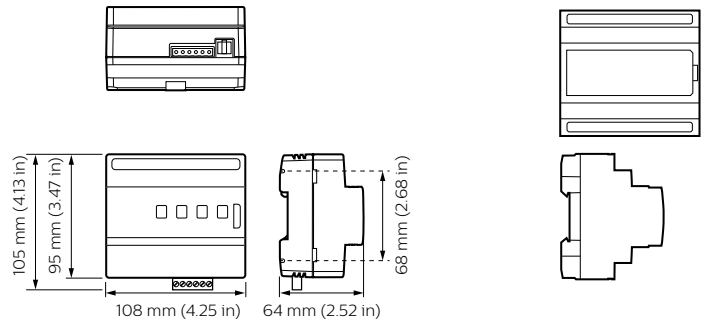
Order product name	DDRC420FR
EAN/UPC - Product	8718696888117
Order code	913703244609
Numerator - Quantity Per Pack	1
Numerator - Packs per outer box	1
Material Nr. (12NC)	913703244609
Net Weight (Piece)	329.000 g

# Dynalite Relay Controllers

## Dimensional drawing



Dynalite Relay Controllers



Dynalite Relay Controllers

