



Dynalite Relay Controllers

DRC-GRMS-UL

Purpose-built room automation and energy management system. This dedicated controller is completely self-contained and requires no external power supply, relays or processor.

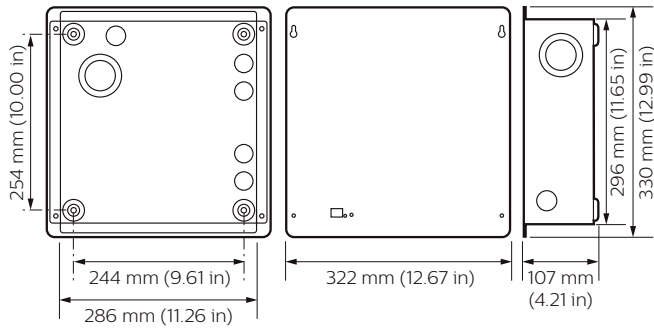
Purpose-built room automation and energy management system. This dedicated controller is completely self-contained and requires no external power supply, relays or processor.

Product data

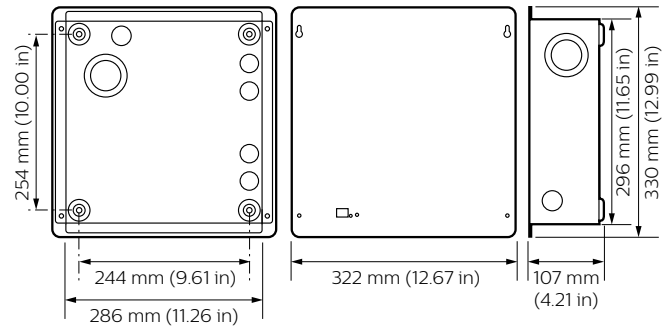
General Information		EAN/UPC - Product	
Remarks	Please download the Lighting - Product Data Sheet for more information and ordering options	EAN/UPC - Product	8718696887646
EU RoHS compliant	Yes	Order code	913703331109
Application Conditions		Local order code	.
Ambient temperature range	+32 to +104 °F	Numerator - Quantity Per Pack	1
Product Data		Numerator - Packs per outer box	1
Order product name	DRC-GRMS-UL	Material Nr. (12NC)	913703331109
		Net Weight (Piece)	3.300 kg

Dynalite Relay Controllers

Dimensional drawing



Dynalite Relay Controllers



Dynalite Relay Controllers

