



# Dynalite User Interface

## PADPE-MC

Regardless of the level of integration and range of available functions, a control system requires an intuitive end-user interface, so that users can easily schedule and activate the various control functionalities. Philips Dynalite user interfaces come in a broad range of panels, touchscreens and wiring devices – with a rich variety of styles and finishes to match any project budget, level of interactivity, or décor requirements.

Regardless of the level of integration and range of available functions, a control system requires an intuitive end-user interface, so that users can easily schedule and activate the various control functionalities. Philips Dynalite user interfaces come in a broad range of panels, touchscreens and wiring devices – with a rich variety of styles and finishes to match any project budget, level of interactivity, or décor requirements.

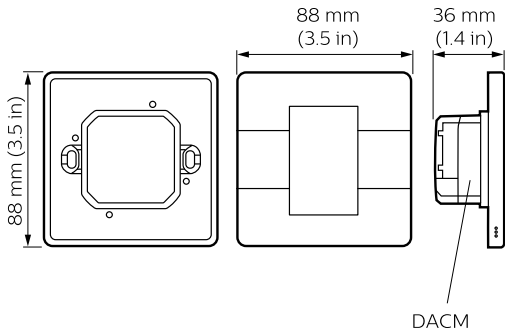
### Product data

General Information	
CE mark	CE mark
Remarks	Please download the Lighting - Product Data Sheet for more information and ordering options
RoHS mark	RoHS mark
Product Data	
Full product code	871829168524100
Order product name	PADPE-MC-X

EAN/UPC – product	8718291685241
Order code	68524100
Numerator – quantity per pack	1
Numerator – packs per outer box	1
Material no. (12NC)	913703432707
Net weight (piece)	0.077 kg

# Dynalite User Interface

## Dimensional drawing



Dynalite User Interfaces

