



# Dynalite User Interface

## PADPE-MC

Regardless of the level of integration and range of available functions, a control system requires an intuitive end-user interface, so that users can easily schedule and activate the various control functionalities. Philips Dynalite user interfaces come in a broad range of panels, touchscreens and wiring devices – with a rich variety of styles and finishes to match any project budget, level of interactivity, or décor requirements.

Regardless of the level of integration and range of available functions, a control system requires an intuitive end-user interface, so that users can easily schedule and activate the various control functionalities. Philips Dynalite user interfaces come in a broad range of panels, touchscreens and wiring devices – with a rich variety of styles and finishes to match any project budget, level of interactivity, or décor requirements.

### Product data

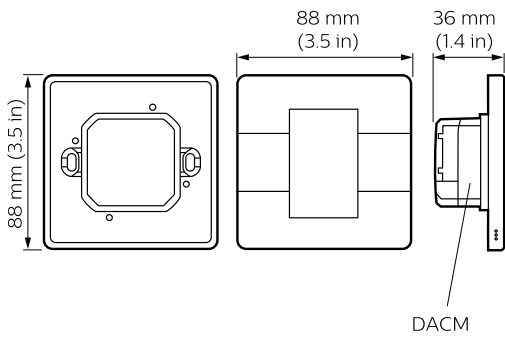
| General Information |   |
|---------------------|---|
| CE mark             | CE mark   |
| Remarks             | Please download the Lighting - Product Data Sheet for more information and ordering options |
| RoHS mark           | RoHS mark   |
| Product Data        |   |
| Full product code   | 871829168524100   |

|                                 |               |
|---------------------------------|---------------|
| Order product name              | PADPE-MC-X    |
| EAN/UPC – product               | 8718291685241 |
| Order code                      | 68524100      |
| Local Code                      | PADPE-MC      |
| Numerator – quantity per pack   | 1             |
| Numerator – packs per outer box | 1             |
| Material no. (12NC)             | 913703432707  |
| Net weight (piece)              | 0.077 kg      |

## Dynalite User Interface

---

### Dimensional drawing



Dynalite User Interfaces

