



Dynalite User Interfaces

PATPE-WC-X

PATPA AntumbraTouch EU

PATPA AntumbraTouch EU

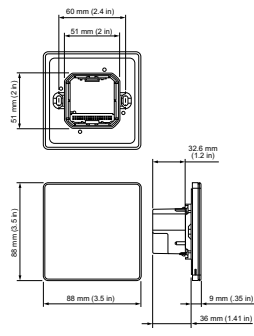
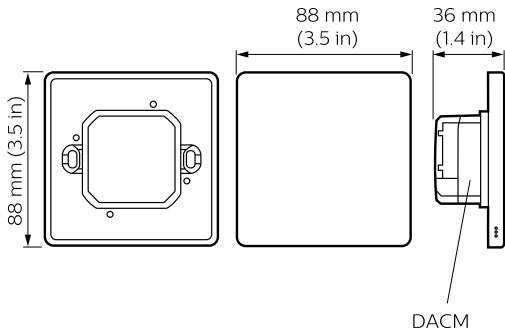
Product data

General Information	
CE mark	CE mark
Remarks	Please download the Lighting - Product Data Sheet for more information and ordering options
RoHS mark	RoHS mark
Type number	Antumbra touch panel, European style
Product Data	
Full product code	871829168532600

Order product name	PATPE-WC-X
EAN/UPC - Product	8718291685326
Order code	913703433107
Numerator - Quantity Per Pack	1
Numerator - Packs per outer box	1
Material Nr. (12NC)	913703433107
Net Weight (Piece)	0.084 kg

Dynalite User Interfaces

Dimensional drawing



Dynalite User Interfaces

Dynalite User Interfaces

