



Dynalite User Interface

PADPE-WC

Regardless of the level of integration and range of available functions, a control system requires an intuitive end-user interface, so that users can easily schedule and activate the various control functionalities. Philips Dynalite user interfaces come in a broad range of panels, touchscreens and wiring devices – with a rich variety of styles and finishes to match any project budget, level of interactivity, or décor requirements.

Regardless of the level of integration and range of available functions, a control system requires an intuitive end-user interface, so that users can easily schedule and activate the various control functionalities. Philips Dynalite user interfaces come in a broad range of panels, touchscreens and wiring devices – with a rich variety of styles and finishes to match any project budget, level of interactivity, or décor requirements.

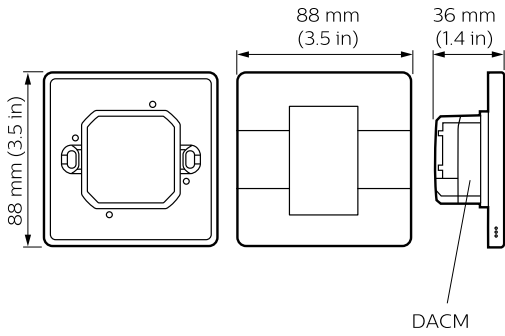
Product data

| General Information | |
|---------------------|---|
| CE mark | CE mark |
| Remarks | Please download the Lighting - Product Data Sheet for more information and ordering options |
| RoHS mark | RoHS mark |
| Product Data | |
| Full product code | 871829168552400 |
| Order product name | PADPE-WC-X |

| | |
|---------------------------------|---------------|
| EAN/UPC – product | 8718291685524 |
| Order code | 68552400 |
| Numerator – quantity per pack | 1 |
| Numerator – packs per outer box | 1 |
| Material no. (12NC) | 913703433907 |
| Net weight (piece) | 0.077 kg |

Dynalite User Interface

Dimensional drawing



Dynalite User Interfaces

