



# Dynalite User Interfaces

## PADPE-SW-X

PADPE AntumbraDisplay EU

PADPE AntumbraDisplay EU

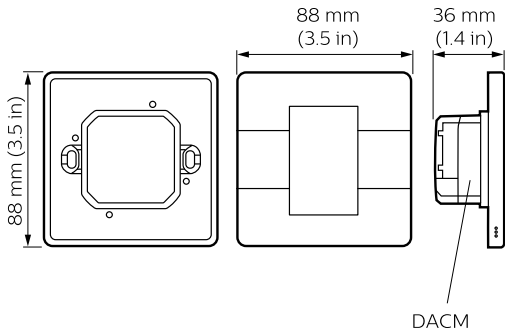
### Product data

| General Information |   |
|---------------------|---|
| CE mark             | CE mark   |
| Remarks             | Please download the Lighting - Product Data Sheet for more information and ordering options |
| RoHS mark           | RoHS mark   |
| Product Data        |   |
| Full product code   | 871829168556200   |
| Order product name  | PADPE-SW-X  |

|                                 |               |
|---------------------------------|---------------|
| EAN/UPC - Product               | 8718291685562 |
| Order code                      | 913703434107  |
| Numerator - Quantity Per Pack   | 1             |
| Numerator - Packs per outer box | 1             |
| Material Nr. (12NC)             | 913703434107  |
| Net Weight (Piece)              | 0.077 kg      |

## Dynalite User Interfaces

### Dimensional drawing



Dynalite User Interfaces

