



Dynalite User Interfaces

PADPE-SC-X

PADPE AntumbraDisplay EU

PADPE AntumbraDisplay EU

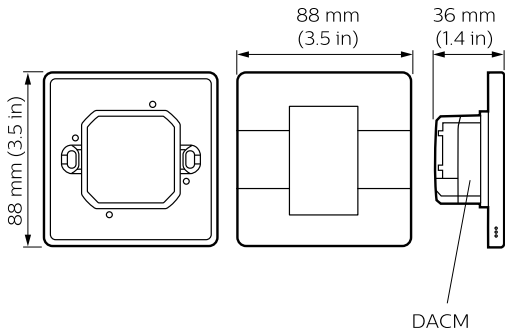
Product data

General Information	
CE mark	CE mark
Remarks	Please download the Lighting - Product Data Sheet for more information and ordering options
RoHS mark	RoHS mark
Product Data	
Full product code	871829168560900
Order product name	PADPE-SC-X

EAN/UPC - Product	8718291685609
Order code	913703434307
Numerator - Quantity Per Pack	1
Numerator - Packs per outer box	1
Material Nr. (12NC)	913703434307
Net Weight (Piece)	0.077 kg

Dynalite User Interfaces

Dimensional drawing



Dynalite User Interfaces

