



# Dynalite Sensors

## DUS360CR-DA

Low profile 360° ceiling sensor - DIP Switch

Low profile 360° ceiling sensor - DIP Switch

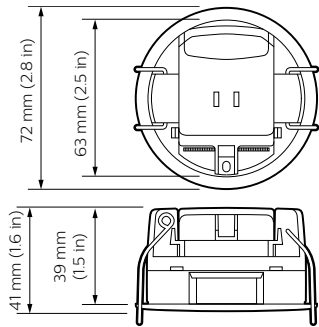
### Product data

| General Information       |   |
|---------------------------|---|
| Remarks                   | Please download the Lighting - Product Data Sheet for more information and ordering options |
| RoHS mark                 | RoHS mark   |
| Approval and Application  |   |
| UL Recognized Canada & US | Yes   |
| Product Data              |   |
| Full product code         | 871869688641000   |

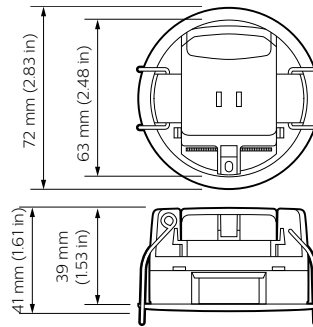
|                                 |               |
|---------------------------------|---------------|
| Order product name              | DUS360CR-DA   |
| EAN/UPC - Product               | 8718696886410 |
| Order code                      | 913703500809  |
| Numerator - Quantity Per Pack   | 1             |
| Numerator - Packs per outer box | 1             |
| Material Nr. (12NC)             | 913703500809  |
| Net Weight (Piece)              | 95.000 g      |

# Dynalite Sensors

## Dimensional drawing



Dynalite Sensors



Dynalite Sensors

