



Dynalite Sensors

DUS360CR-DALI

Low profile 360° ceiling sensor powered by the DALI network

Low profile 360° ceiling sensor powered by the DALI network

Product data

General Information	
CE mark	CE mark
Remarks	Please download the Lighting - Product Data Sheet for more information and ordering options
EU RoHS compliant	Yes

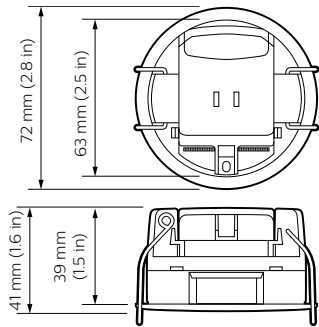
Approval and Application	
UL Recognized Canada & US	Yes

Application Conditions	
Ambient temperature range	0 to +45 °C

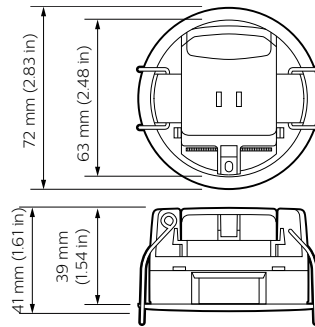
Product Data	
Full product code	871869688710300
Order product name	DUS360CR-DALI
EAN/UPC – product	8718696887103
Order code	88710300
Numerator – quantity per pack	1
Numerator – packs per outer box	1
Material no. (12NC)	913703500909
Net weight (piece)	62.000 g

Dynalite Sensors

Dimensional drawing



Dynalite Sensors



Dynalite Sensors

