



Dynalite Sensors

DUS360CR-DALI

Low profile 360° ceiling sensor powered by the DALI network

Low profile 360° ceiling sensor powered by the DALI network

Product data

General Information	
CE mark	CE mark
Remarks	Please download the Lighting - Product Data Sheet for more information and ordering options
EU RoHS compliant	Yes

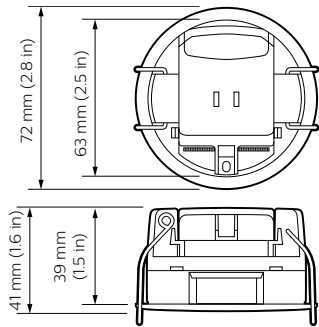
Approval and Application	
UL Recognized Canada & US	Yes

Application Conditions	
Ambient temperature range	0 to +45 °C

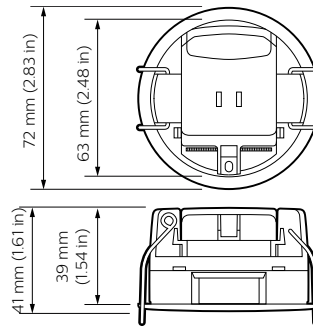
Product Data	
Full product code	871869688710300
Order product name	DUS360CR-DALI
EAN/UPC - Product	8718696887103
Order code	913703500909
Numerator - Quantity Per Pack	1
Numerator - Packs per outer box	1
Material Nr. (12NC)	913703500909
Net Weight (Piece)	62.000 g

Dynalite Sensors

Dimensional drawing



Dynalite Sensors



Dynalite Sensors

