



Dynalite Signal Dimmer Controllers

DDBC120-DALI

Signal Dimmer Controller up to 64 DALI lamp drivers and 10 DALI sensors/switches.

Signal Dimmer Controller up to 64 DALI lamp drivers and 10 DALI sensors/switches.

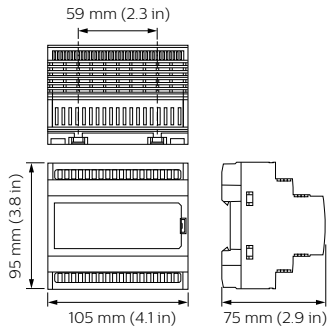
Product data

| General Information | |
|---------------------------|---|
| CE mark | CE mark |
| Remarks | Please download the Lighting - Product Data Sheet for more information and ordering options |
| EU RoHS compliant | Yes |
| Application Conditions | |
| Ambient temperature range | 0 to +40 °C |
| Product Data | |
| Full product code | 871869688704200 |

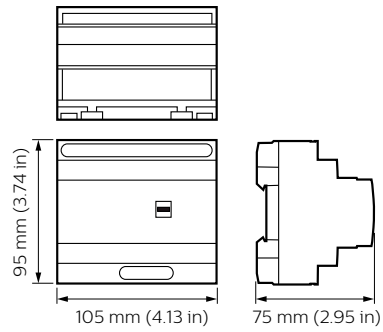
| | |
|---------------------------------|---------------|
| Order product name | DDBC120-DALI |
| EAN/UPC - Product | 8718696887042 |
| Order code | 913703685109 |
| Numerator - Quantity Per Pack | 1 |
| Numerator - Packs per outer box | 1 |
| Material Nr. (12NC) | 913703685109 |
| Net Weight (Piece) | 203.000 g |

Dynalite Signal Dimmer Controllers

Dimensional drawing



Dynalite Signal Dimmer Controllers



Dynalite Signal Dimmer Controllers

