



# Dynalite User Interface

## PADPE-AA

PADPE AntumbraDisplay EU

PADPE AntumbraDisplay EU

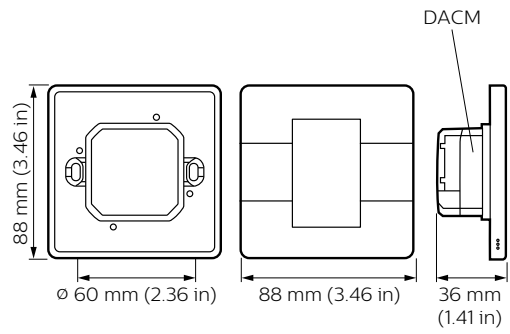
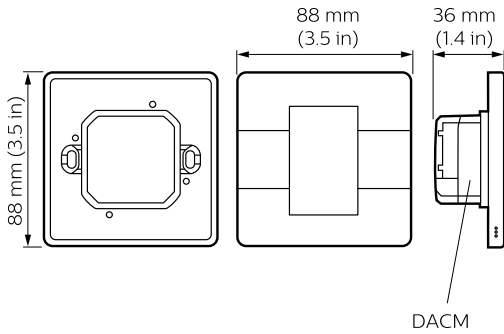
### Product data

General Information	
Remarks	Please download the Lighting - Product Data Sheet for more information and ordering options
RoHS mark	RoHS mark
Product Data	
Full product code	871869641178000
Order product name	PADPE-AA-X

EAN/UPC – product	8718696411780
Order code	41178000
Numerator – quantity per pack	1
Numerator – packs per outer box	1
Material no. (12NC)	913703970807
Net weight (piece)	0.128 kg

# Dynalite User Interface

## Dimensional drawing



Dynalite User Interfaces

Dynalite User Interfaces

