

Electronic transformers

ET-E 30 220-240V

A high frequency electronic transformer for operation with 12V halogen lamps. It is fully IEC compliant with unique compact size and light weight

Product data

General Information	
Number of products on MCB (16 A type B) (max.)	50
Automatic restart	No
Operating and Electrical	
Input voltage	220 to 240 V
Input frequency	50 to 60 Hz
Operating frequency (nom.)	45-66 kHz
Power factor 100% load (nom.)	0.9
Mains voltage performance (AC)	202...254V
Mains voltage safety (AC)	198...264V
Inrush current width	0.28 ms
Power losses (nom.)	6 W
Inrush current peak (max.)	10 A
Output voltage	11.3 V
Wiring	
Connector type input terminals	cable
Cable capacity wires device to lamp (max.)	0.12 nF
Colour input terminals	BLK & WHT
Colour output terminals	Red
Connector type output terminals	cable

Cable length from device to lamp	1.5 m
Wire strip length	8.0-9.0 mm
System characteristics	
Rated ballast-lamp power	30 W
Temperature	
T ambient (max.)	50 °C
T ambient (min.)	-20 °C
T storage (max.)	50 °C
T storage (min.)	-40 °C
T-Case maximum (max.)	65 °C
Approval and Application	
Approval marks	SELV
Humming and noise level	< 30 dB(A)
Product Data	
Full product code	694793917165100
Order product name	ET-E 30 220-240V
EAN/UPC – product	6947939171651
Order code	17165100

Electronic transformers

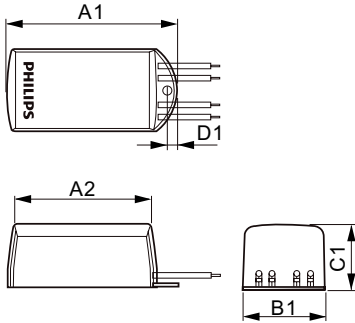
Numerator – quantity per pack	1
Numerator – packs per outer box	48
Material no. (12NC)	913710032964

Net weight (piece)	0.050 kg
--------------------	----------

Warnings and Safety

- Transformer is not suitable for DC operation

Dimensional drawing



Product	D1	C1	A1	B1	A2
ET-E 30 220-240V	4.4 mm	24.5 mm	76 mm	38 mm	72 mm

ET-E 30 220-240V

