



HF-Performer III for TL5 lamps

HF-P 149 TL5 HO III 220-240V 50/60Hz IDC

HF-Performer III TL5 is a sustainable, slim and high-frequency electronic ballast for TL5 and TL5 Eco fluorescent lamps. It is ideal for applications where high energy efficiency is required. The HF-Performer III range has a robust design, meets all relevant international safety and performance standards and is energy-efficient (CELMA EEI A2 BAT).

Product data

General Information	
Application code	III
Type version	IDC
Lamp type	TL5 HO
Number of lamps	1 piece/unit
Number of products on MCB (16 A type B) (nom.)	28
Automatic restart	Yes
Operating and Electrical	
Input voltage	220 to 240 V
Input frequency	50 to 60 Hz
Operating frequency (nom.)	47.5 kHz
Ignition method	Programmed Start
Crest factor (max.)	1.7
Power factor 100% load (nom.)	0.99
Ignition time (max.)	0.9 s
Mains voltage performance (AC)	-8% - +6%
Mains voltage safety (AC)	-10% - +10%
Earth leakage current (nom.)	0.5 mA

Inrush current width	0.25 ms
Constant wattage deviation	-2%/+2%
Ballast factor (nom.)	1
Power losses (nom.)	2.5 W
Inrush current peak (max.)	24 A
Wiring	
Connector type input terminals	WAGO 251 universal connector [Suitable for both automatic wiring (ALF and ADS) and manual wiring]
Cable capacity output wires mutual (nom.)	200 pF
Connector type output terminals	WAGO 251 universal connector [Suitable for both automatic wiring (ALF and ADS) and manual wiring]
Cable length hot-wiring	0.75 m
Wire strip length	8.0-9.0 mm
Dual fixture master/slave	Not applicable [Master/Slave oper. not applicable]
Input terminal cross section	0.50-1.00 mm ²
Output terminal cross section	0.50-1.00 mm ²

HF-Performer III for TL5 lamps

Cable capacity output wires to earth (nom.)	200 pF
---	--------

System characteristics

Rated ballast-lamp power	49 W
Rated lamp power on TL5	49 W
System power on TL5	57 W
Lamp power on TL5	54.5 W
Power loss on TL5	2.5 W
Rated lamp power on TL5 ECO	49 W
System power on TL5 ECO	51 W
Lamp power on TL5 ECO	48.5 W
Power loss on TL5 ECO	2.5 W

Temperature

T ambient (max.)	60 °C
T ambient (min.)	-25 °C
T storage (max.)	80 °C
T storage (min.)	-40 °C
T case lifetime (nom.)	80 °C
T-Case maximum (max.)	80 °C
T-Ignition (max.)	60 °C
T-Ignition (min.)	-25 °C

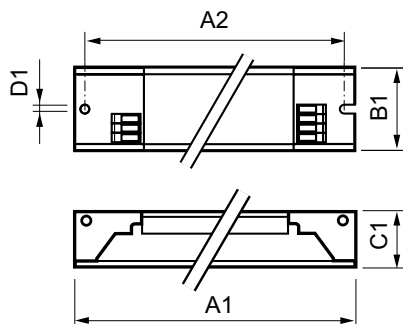
Mechanical and Housing

Housing	L360x30x22
---------	------------

Emergency Operation

Nominal light output after 60 seconds	100% of EBLF
Battery voltage lamp ignition	198-254 V
Normal operating voltage (DC)	220-240 V
Battery voltage lamp operation	176-254
Battery voltage guaranteed operation	176-275 V
Battery voltage guaranteed ignition	186-275 V
Emergency ballast lumen factor (EBLF) (nom.)	100 %

Dimensional drawing



HF-P 149 TL5 HO III 220-240V 50/60Hz IDC

Nominal light output after 5 seconds	50% of EBLF
--------------------------------------	-------------

Approval and Application

Energy efficiency index	A2 BAT
IP classification	IP 20 [Ingress Protection 20]
EMI 9 kHz... 30 MHz	EN55015
EMI 30 MHz... 1,000 MHz	-
Safety standard	IEC 61347-2-3
Performance standard	IEC 60929
Quality standard	ISO 9000:2000
Environmental standard	ISO 14001
Harmonic current emission standard	IEC 61000-3-2
EMC immunity standard	IEC 61547
Vibration standard	IEC68-2-6 F c
Bumps standard	IEC 68-2-29 Eb
Humidity standard	EN 61347-2-3 clause 11
Approval marks	CE marking
Temperature marking	Yes
Emergency standard	IEC 60598-2-22
Humming and noise level	< 30 dB(A)

Product Data

Full product code	872790086319200
Order product name	HF-P 149 TL5 HO III 220-240V 50/60Hz IDC
EAN/UPC – product	8711500881977
Order code	86319200
Local Code	HFP149TL5HOIII
Numerator – quantity per pack	1
Numerator – packs per outer box	12
Material no. (12NC)	913713028066
Net weight (piece)	0.252 kg

Product	D1	C1	A1	A2	B1
HF-P 149 TL5 HO III 220-240V 50/60Hz IDC	4.2 mm	22.0 mm	360.0 mm	350.0 mm	30.0 mm

HF-Performer III for TL5 lamps

