

HF-Performer III for TL-D lamps

HF-P 336 TL-D III 220-240V 50/60Hz IDC

HF-Performer III TL-D III ballasts offer maximum versatility and meet all of the necessary commercial grade specifications. They also offer the added benefits of lamp striation reduction technology, making these ballasts compatible with energy-saving lamps. As such, these ballasts are part of an overall high-efficiency lighting system that may help you or your customers to achieve any international or local energy code you need to comply with. HF-Performer III TL-D III ballasts are the ideal choice for a broad range of new construction and retrofit applications within the commercial sector, including general surface mounting or office lighting, parking garages, warehouses, waterproof and other applications.

Product data

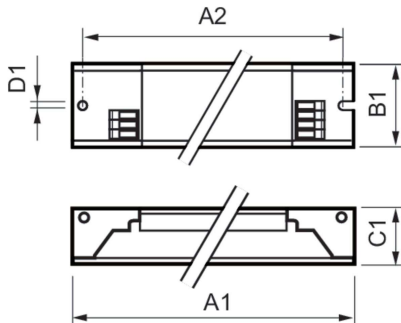
Operating and Electrical		Connector Type Output Terminals	
Input Voltage	220 to 240 V	Connector Type	WAGO 251 universal connector [Suitable for both automatic wiring (ALF and ADS) and manual wiring]
Line Frequency	50 to 60 Hz		
Input Frequency	50 to 60 Hz	Temperature	
Inrush Current Width	0.35 ms	Ambient temperature range	-25 °C to 60 °C
Power Factor (Fraction)	0.99	T-Case Lifetime (Nom)	80 °C
Inrush Current Peak (Max)	31 A	T-Case Maximum (Max)	80 °C
Number of Products on MCB (16A Type B) (Nom)	12	Mechanical and Housing	
Wiring		Housing	L 280x40x28
Connector Type Input Terminals	WAGO 251 universal connector [Suitable for both automatic wiring (ALF and ADS) and manual wiring]	Approval and Application	
		Ingress protection code	IP20 [Finger-protected]
		Energy Efficiency Index	A2 BAT
		Safety Standard	IEC 61347-2-3

HF-Performer III for TL-D lamps

Environmental Standard	ISO 14001
Approval Marks	CE marking ENEC certificate VDE-EMV certificate
Product Data	
Order product name	HF-P 336 TL-D III 220-240V 50/60Hz IDC
Full product name	HF-P 336 TL-D III 220-240V 50/60Hz IDC
Full product code	872790091168800

Order code	913713031766
Material Nr. (12NC)	913713031766
Numerator - Quantity Per Pack	1
EAN/UPC - Product/Case	8711500999689
Numerator - Packs per outer box	10
EAN/UPC - Case	8727900911688

Dimensional drawing



Product	D1	C1	A1	A2	B1
HF-P 336 TL-D III 220-240V 50/60Hz IDC	4.2 mm	28.0 mm	280.0 mm	265.0 mm	40.0 mm

