

HF-Selectalume II for TL5 lamps

HF-S 3/414 TL5 II 220-240V 50/60Hz

HF-Selectalume II TL5 is the most cost-effective, reliable and outstanding solution for fluorescent lamps. These ballasts are part of an overall high-efficiency lighting system that may help you or your customers to achieve any international or local energy code you need to comply with. HF-Selectalume II TL5 ballasts are the ideal choice for a broad range of new construction and retrofit applications within the commercial sector, including general surface mounting or office lighting, parking garages, warehouses, waterproof and other applications. The ballast is primarily designed for Indoor application. For outdoor application, the luminaire should be minimum Classland need to be sufficiently protected against water & dust. The installation should also be guard against any lightening surge or any other necessary electrical protection as deemed in such typical installation & application.

Product data

General Information		Electrical	
Application Code	II	Power Factor 100% Load (Nom)	0.98
Type Version	mk1	Preheat Time	1.6 s
Lamp Type	TL5	Mains Voltage Performance (AC)	202-254V -8% -+6%
Number of Lamps	3/4 piece/unit	Mains Voltage Safety (AC)	198-264V -10% -+10%
Number of Products on MCB (16A Type B) (Nom)	28	Earth Leakage Current (Max)	0.5 mA
Automatic Restart	Yes	Inrush Current Width	0.35 ms
		Ballast Factor (Nom)	1.13
		Power Losses (Nom)	6.1/10.8 W
		Inrush Current Peak (Max)	18 A
Operating and Electrical		Wiring	
Input Voltage	220 to 240 V	Connector Type Input Terminals	WAGO 744 connector
Input Frequency	50 to 60 Hz	Cable Capacity Output Wires Mutual (Max)	120 pF
Operating Frequency (Nom)	45 kHz		
Crestfactor (Nom)	1.7		

HF-Selectalume II for TL5 lamps

Connector Type Output Terminals	WAGO 744 connector [Suitable for manual wiring]
Cable Length Hot Wiring	0.75 m
Wire Striplength	8.0-9.0 mm
Dual Fixture Master/Slave	Possible, lamp wires 2m max. length [Master/Slave operation possible]
Input Terminal Cross Section	0.50-1.50 mm ²
Output Terminal Cross Section	0.50-1.50 mm ²
Cable Capacity Cold Output Wires - Earth (Max)	120 pF
Cable Capacity Hot Output Wires - Earth (Max)	120 pF

System characteristics

Rated Ballast-Lamp Power	14 W
Rated Lamp Power on TL5	14 W
System Power on TL5	51.0/61.4 W
Lamp Power on TL5	44.2/55.0 W
Power Loss on TL5	6.8/6.4 W

Temperature

T-Ambient (Max)	55 °C
T-Ambient (Min)	-20 °C
T-Storage (Max)	80 °C
T-Storage (Min)	-40 °C
T-Case Lifetime (Nom)	75 °C
T-Case Maximum (Max)	75 °C

Mechanical and Housing

Housing	L 280x39x21.5
---------	---------------

Emergency Operation

Nominal Light Output After 60 Seconds	100% of EBLF
---------------------------------------	--------------

Normal Operating Voltage (DC)	220-240 V
Battery Voltage Guaranteed Operation	176-275 V
Battery Voltage Guaranteed Ignition	186-275 V
Emergency Ballast Lumen Factor (EBLF) (Nom)	100 %
Nominal Light Output After 5 Seconds	50% of EBLF

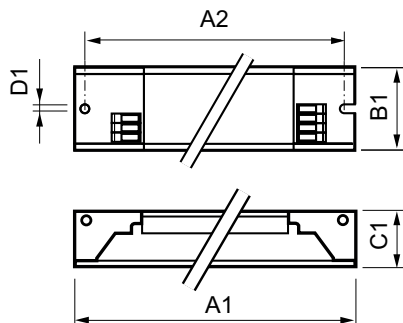
Approval and Application

Energy Efficiency Index	A2/A2 BAT
IP Classification	IP 20 [Ingress Protection 20]
EMI 9 kHz ... 30 MHz	EN55015
Vibration Standard	IEC68-2-6 F c
Bumps Standard	IEC 68-2-29 Eb (10G/16ms)
Approval Marks	F-Marking CE marking ENEC certificate CCC certificate C-Tick certificate PSB certification TISI marking SIRIM approval CB Certificate CCC certificate VDE-EMV certificate
Hum And Noise Level	< 30 dB(A)

Product Data

Full product code	872790088335000
Order product name	HF-S 3/414 TL5 II 220-240V 50/60Hz
EAN/UPC - Product	8711500998705
Order code	913713033066
Numerator - Quantity Per Pack	1
Numerator - Packs per outer box	10
Material Nr. (12NC)	913713033066
Net Weight (Piece)	0.228 kg

Dimensional drawing



HF-S 3/414 TL5 II 220-240V 50/60Hz

Product	A1	B1	C1	A2	B2	D1
HF-S 3/414 TL5 II 220-240V 50/60Hz	280 mm	39 mm	21.5 mm	265 mm		4.2 mm

HF-Selectalume II for TL5 lamps

