

EB-Certalume for TL5 lamps

EB-Ci 1-2 14-28W 220-240V 50/60 Hz

Affordable, reliable, high frequency electronic ballast for TL5 fluorescent lamps, ideal alternative for electromagnetic (EM) ballasts

Product data

Operating and Electrical	
Input Voltage	220-240 V
Input Frequency	50 or 60 Hz
Earth Leakage Current (Max)	0.5 mA
Inrush Current Width	0.224 ms
Inrush Current Peak (Max)	17 A
Number of Products on MCB (16A Type B) (Max)	30

Wiring	
Connector Type Input Terminals	Insert
Connector Type Output Terminals	Insert
Connector Type	Insert

Temperature	
T-Case Lifetime (Max)	75 °C
T-Case Maximum (Max)	75 °C

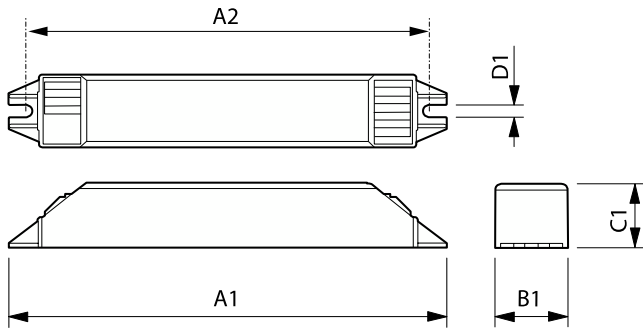
Mechanical and Housing	
Housing Material	Plastic
Housing	L210x30x26mm

Approval and Application	
Ingress protection code	IP20 [Finger-protected]
Energy Efficiency Index	A2
Safety Standard	IEC 61347-2-3, IEC 61347-1
Environmental Standard	ISO 14001
Approval Marks	CB Certificate CCC certificate TISI marking PSB certification RCM compliance SNI Certificate CS Compliance IRAM Compliance

Product Data	
Order product name	EB-Ci 1-2 14-28W 220-240V 50/60 Hz
Full product name	EB-Ci 1-2 14-28W 220-240V 50/60 Hz
Full product code	694793913355000
Order code	913713043280
Material Nr. (12NC)	913713043280
Numerator - Quantity Per Pack	1
EAN/UPC - Product/Case	6947939133550
Numerator - Packs per outer box	30
EAN/UPC - Case	6947939133567

EB-Certalume for TL5 lamps

Dimensional drawing



Product	A1	A2	B1	C1	D1
EB-Ci 1-2 14-28W 220-240V 50/60 Hz	210 mm	200 mm	30 mm	26 mm	4.3 mm

