



# Tango LED Floodlight

## BVP483 LED235 CW AMB PSU GR

The Philips Tango LED floodlighting provides a complete lighting solution for the most complex area of recreational & sports lighting applications. The floodlight comes with a single piece die cast aluminum housing with inbuilt potted driver & an external surge protection device. It reduces energy consumption, meets the highest performance standards, provides outstanding light quality, maintains uniformity and ensures safety and visual comfort. Tango LED offers a reduction in the total cost of ownership, has outstanding energy efficiency, is sleek & elegant in design, has dedicated optics for different applications such as Apron, ports and docks, and recreational sports facilities. Powered by LED technology, this luminaire delivers superior lighting performance and a longer lifetime, bringing area lighting to a whole new level. The floodlight is also compatible with other external control systems through DALI, 1-10V, and connected SR driver.

### Product data

General Information		Operating and Electrical	
Beam angle of light source	35 °	Input Voltage	120 to 277 V
Light source color	857 daylight	Input Frequency	50 Hz
Driver included	Yes	Power Factor (Min)	0.95
Optical cover/lens type	Polycarbonate	Controls and Dimming	
Luminaire light beam spread	2° x 35°	Dimmable	Yes
Control interface	Analog	Mechanical and Housing	
Protection class IEC	Safety class I (I)	Housing Material	Aluminum die-cast
Flammability mark	F [ For mounting on normally flammable surfaces]	Optic material	Polycarbonate
Warranty period	2 years	Optical cover/lens material	Polycarbonate
Material	Aluminum	Mounting device	Via U Shaped Bracket, Aiming Scale Angle, Universal Installation
Optic type outdoor	Asymmetrical Medium Beam angle 35°		
Light source engine type	LED		

# Tango LED Floodlight

Color	Gray
-------	------

## Approval and Application

Ingress protection code	IP66 [ Dust penetration-protected, jet-proof]
Mech. impact protection code	IK08 [ 5 J vandal-protected]
Surge Protection (Common/Differential)	Surge protection level until 4 kV

## Initial Performance (IEC Compliant)

Initial luminous flux (system flux)	23500 lm
Initial LED luminaire efficacy	110 lm/W
Init. Corr. Color Temperature	5700 K
Init. Color Rendering Index	>70
Initial chromaticity	<5
Initial input power	195 W
Power consumption tolerance	+/-10%

## Over Time Performance (IEC Compliant)

Median useful life L70B50	50000 h
---------------------------	---------

## Application Conditions

Ambient temperature range	0 to +35 °C
---------------------------	-------------

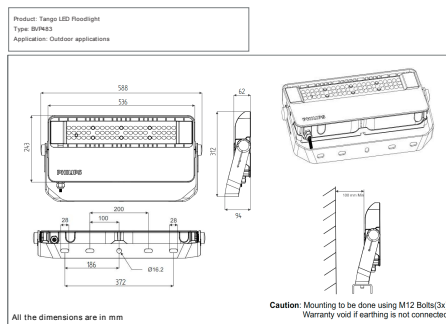
## Product Data

Order product name	BVP483 LED235 CW AMB PSU GR
Order code	919515813019
Numerator - Quantity Per Pack	1
Numerator - Packs per outer box	1
Material Nr. (12NC)	919515813019
Net Weight (Piece)	6.900 kg



## Warnings and Safety

### Dimensional drawing



### Outdoor Luminaires

