



PAR56 and PAR64

PAR64 1000W 240V VNSP

These self-contained spotlights are ideal for intensifying the visual experience in all kinds of clubs, that is because their accurate beam control picks out even the smallest of details even over long distances. This beam control makes the PAR 56 and PAR 64 excellent for long-range light projections. In addition, the universal burning feature provides complete flexibility of luminaires angle and position, while the front glass of the PAR56 provides thermal and physical protection. The result? Complete creative freedom to achieve the desired effect. Immediate re-strike also ensures instant resumption of entertainment after any power interruption.

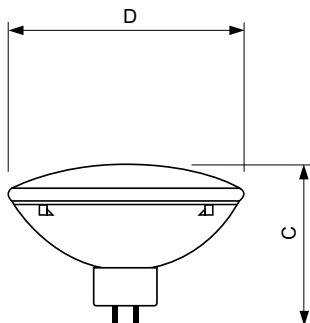
Product data

General Information	
Cap-Base	GX16D [GX16d]
ANSI Code	EXC
LIF Code	CP60
Operating Position	UNIVERSAL [Any or Universal (U)]
Main Application	Flood and Ambient Lighting
Life to 50% Failures (Min)	300 h
Nominal Lifetime (Nom)	300 h
Light Technical	
Beam Angle (Nom)	11 °
Luminous Intensity (Max)	400000 cd
Beam Description	Very Narrow Spot
Correlated Color Temperature (Nom)	3200 K
Operating and Electrical	
Power (Nom)	1000 W
Voltage (Nom)	240 V

Controls and Dimming	
Dimmable	Yes
Mechanical and Housing	
Cap-Base Information	-
Bulb Shape	PAR64 [PAR 64inch/180mm]
Product Data	
Full product code	871150044060010
Order product name	PAR64 1000W 240V VNSP
EAN/UPC - Product	8711500440600
Order code	924783245504
Numerator - Quantity Per Pack	1
Numerator - Packs per outer box	6
Material Nr. (12NC)	924783245504
Net Weight (Piece)	0.760 kg

PAR56 and PAR64

Dimensional drawing



Product	D (max)	C (max)
PAR64 1000W 240V VNSP	204 mm	150 mm

PAR64 1000W 240V VNSP

