



PAR56 and PAR64

Par56 MFL 300W 240V GX16d.1CT/6

These self-contained spotlights are ideal for intensifying the visual experience in all kinds of clubs, that is because their accurate beam control picks out even the smallest of details even over long distances. This beam control makes the PAR 56 and PAR 64 excellent for long-range light projections. In addition, the universal burning feature provides complete flexibility of luminaires angle and position, while the front glass of the PAR56 provides thermal and physical protection. The result? Complete creative freedom to achieve the desired effect. Immediate re-strike also ensures instant resumption of entertainment after any power interruption.

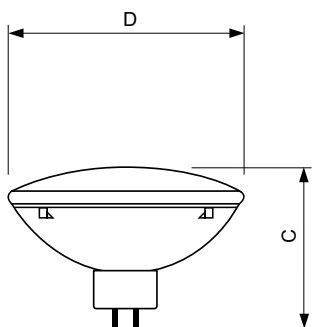
Product data

General Information	
Cap-Base	GX16D [GX16d]
ANSI Code	-
LIF Code	-
Operating Position	UNIVERSAL [Universal]
Main Application	Flood and Ambient Lighting
Life to 50% Failures (Min)	2000 h
Nominal Lifetime (Nom)	2000 h
Light Technical	
Beam Angle (Nom)	20 °
Luminous Intensity (Max)	30000 cd
Beam Description	Medium Flood
Correlated Color Temperature (Nom)	3000 K
Operating and Electrical	
Power (Rated) (Nom)	300 W
Voltage (Nom)	240 V

Controls and Dimming	
Dimmable	Yes
Mechanical and Housing	
Cap-Base Information	na [-]
Approval and Application	
Energy Efficiency Label (EEL)	Not applicable
Product Data	
Full product code	871150044194210
Order product name	Par56 MFL 300W 240V GX16d.1CT/6
EAN/UPC - Product	8711500441942
Order code	924783645504
Numerator - Quantity Per Pack	1
Numerator - Packs per outer box	6
Material Nr. (12NC)	924783645504
Net Weight (Piece)	0.542 kg

PAR56 and PAR64

Dimensional drawing



PAR56 300W 240V MFL

Product	D (max)	C (max)
Par56 MFL 300W 240V GX16d.1CT/6	178 mm	127 mm

