

TUV T5

TUV 64T5 HE SP UNP/32

TUV T5 lamps are single- or double-ended UVC (germicidal) lamps used in professional water and air disinfection units. The small 16 mm diameter of the lamp allows for a small system design and design flexibility. TUV T5 lamps offer constant UV output over their complete lifetime, for maximum security of disinfection and high system efficacy.

Warnings and Safety

- A lamp breaking is extremely unlikely to have any impact on your health. If a lamp breaks, ventilate the room for 30 minutes and remove the parts, preferably with gloves. Put them in a sealed plastic bag and take it to your local waste facilities for recycling. Do not use a vacuum cleaner.
- A lamp breaking is extremely unlikely to have any impact on your health. If a lamp breaks, ventilate the room for 30 minutes and remove the parts, preferably with gloves. Put them in a sealed plastic bag and take it to your local waste facilities for recycling. Do not use a vacuum cleaner.
- DANGER: Risk Group 3 Ultra Violet product. These lamps emit high-power UV radiation that can cause severe injury to skin and eyes. Avoid eye and skin exposure to unshielded product. Use only in an enclosed environment which shields users from the radiation.
- DANGER: Risk Group 3 Ultra Violet product. These lamps emit high-power UV radiation that can cause severe injury to skin and eyes. Avoid eye and skin exposure to unshielded product. Use only in an enclosed environment which shields users from the radiation.

Product data

| General Information | | Arc Length O (Nom) | |
|---------------------------------|------------------------|--------------------------|---------|
| Cap-Base | SINGLEPIN [Single Pin] | 1,473 mm | |
| Useful Life (Nom) | 9,000 hour(s) | Operating and Electrical | |
| Light Technical | | Power Consumption | 75 W |
| Color Code | TUV | Lamp Current (Nom) | 0.425 A |
| Color Designation | - [Not Specified] | Voltage (Nom) | 178 V |
| Depreciation at Useful Lifetime | 20 % | Voltage (Nom) | 178 V |

TUV T5

Mechanical and Housing

Bulb Shape T16 [T 16mm]

Approval and Application

Mercury (Hg) Content (Nom) 3.0 mg

UV

UV-C Radiation at 100 hr 32.7 W

Product Data

Order product name TUV 64T5 HE SP UNP/32

Full product name TUV 64T5 HE SP UNP/32

Full product code 871150064079699

Order code 927970504099

Material Nr. (12NC) 927970504099

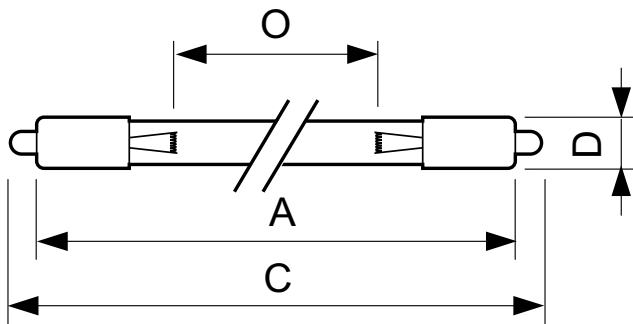
Numerator - Quantity Per Pack 1

EAN/UPC - Product/Case 8711500640796

Numerator - Packs per outer box 32

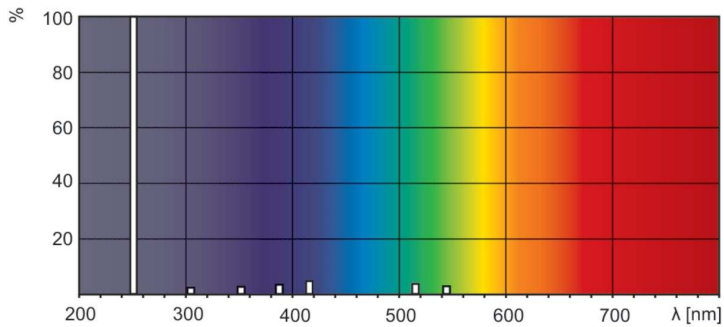
EAN/UPC - Case 8711500640802

Dimensional drawing



| Product | D (max) | O | C (max) | A (max) |
|-----------------------|---------|----------|------------|------------|
| TUV 64T5 HE SP UNP/32 | 18.6 mm | 1,473 mm | 1,575.1 mm | 1,556.6 mm |

Photometric data



Spectral Power Distribution Colour - TUV 64T5 HE SP UNP/32

