



MASTER CosmoWhite CPO-TT Xtra

MST CosmoWhite CPO-TT Xtra 45W/628 E27

New-generation ceramic metal-halide tubular lamps used in outdoor applications, offering efficient and pleasant white light

Product data

General Information			
Cap base	E27 [E27]	Chromaticity coordinate X (nom.)	0.462
Operating position	P20 [Parallel +/-20D or Horizontal(HOR)]	Chromaticity coordinate Y (nom.)	0.415
Life to 5% failures (nom.)	21500 h	Luminous efficacy (rated) (nom.)	105 lm/W
Life to 10% failures (nom.)	24000 h	Color rendering index (nom.)	65
Life to 20% failures (nom.)	27000 h	LLMF 2000 h Rated	92 %
Life to 50% failures (nom.)	32000 h	LLMF 4000 h Rated	90 %
ANSI code HID	-	LLMF 6000 h Rated	90 %
LSF 2000 h Rated	99 %	LLMF 8000 h Rated	90 %
LSF 4000 h Rated	99 %	LLMF 12000 h Rated	89 %
LSF 6000 h Rated	99 %	LLMF 16000 h Rated	87 %
LSF 8000 h Rated	99 %	LLMF 20000 h Rated	86 %
LSF 12000 h Rated	99 %	LLMF 24000 h Rated	84 %
LSF 16000 h Rated	99 %	LLMF 30000 h Rated	82 %
LSF 20000 h Rated	97 %	Ratio Scotopic/Photopic Lumens	1.08
LSF 24000 h Rated	90 %		
LSF 30000 h Rated	63 %		
Light Technical		Operating and Electrical	
Colour code	628 [CCT of 2,800 K]	Power (Rated) (Nom)	45.0 W
Luminous flux (rated) (nom.)	4650 lm	Re-ignition time (min.) (max.)	900 s
Colour designation	Warm white (WW)	Ignition time (max.)	30 s
		Voltage (Max)	97 V
		Voltage (Min)	83 V

MASTER CosmoWhite CPO-TT Xtra

Voltage (Nom)	90 V
Controls and Dimming	
Dimmable	yes
Run-up time 90% (max.)	4 min
Mechanical and Housing	
Bulb finish	Clear
Approval and Application	
Energy efficiency label (EEL)	A+
Mercury (Hg) content (nom.)	2.0 mg
Energy Consumption kWh/1000 h	50 kWh
UV	
PET (NIOSH) (nom.)	8 h/500lx
Damage factor D/fc (nom.)	0.31

Luminaire Design Requirements

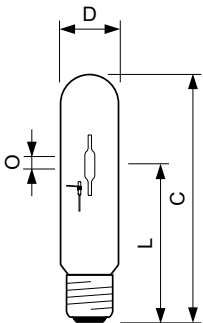
Bulb temperature (max.)	350 °C
Cap base temperature (max.)	200 °C

Product Data

Full product code	871829169171600
Order product name	MST CosmoWhite CPO-TT Xtra 45W/628 E27
EAN/UPC – product	8718291691716
Order code	69171600
Local Code	45CPOTT628
Numerator – quantity per pack	1
Numerator – packs per outer box	12
Material no. (12NC)	928060809227
Net weight (piece)	0.050 kg

Warnings and Safety

Dimensional drawing

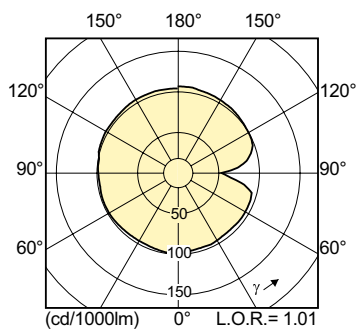


CPO-TT Xtra 45W/628 E27

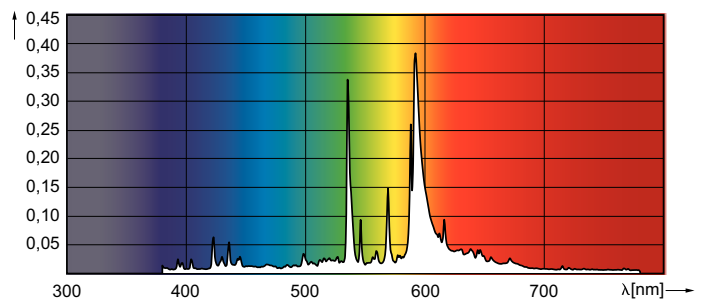
Product

MST CosmoWhite CPO-TT Xtra 45W/628 E27

Photometric data

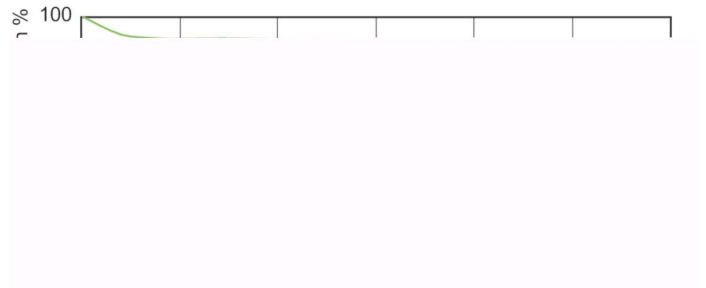
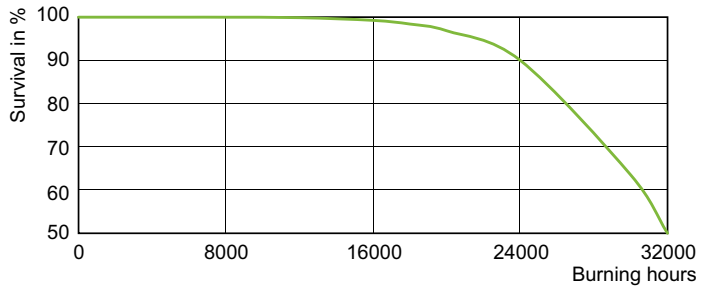


LDLD_CPO-TT_0001-Light distribution diagram



MASTER CosmoWhite CPO-TT Xtra

Lifetime



LDLE_CPO-TT_0001-Life expectancy diagram

