

# PHILIPS

# Lighting



## MASTER MHN-FC

### MASTER MHN-FC 1000W/740 230V XW

Compact quartz metal halide lamps with double pinch

#### Product data

##### General Information

Cap base	DOUBLEENDED [ Double Ended]
Operating position	P5 [ Parallel +/-5D or Horizontal(HOR)]
Life to 5% failures (nom.)	7000 h
Life to 10% failures (nom.)	8000 h
Life to 20% failures (nom.)	9500 h
Life to 50% failures (nom.)	12000 h

##### Light Technical

Colour code	740 [ CCT of 4,000 K]
Luminous flux (rated) (min.)	88000 lm
Luminous flux (rated) (nom.)	93000 lm
Colour designation	White (WH)
Lumen maintenance 1,000 hours (nom.)	90 %
Lumen maintenance 10,000 hours (nom.)	70 %
Lumen maintenance 2,000 hours (nom.)	85 %
Lumen maintenance 5,000 hours (nom.)	75 %
Chromaticity coordinate X (nom.)	374
Chromaticity coordinate Y (nom.)	366
Correlated colour temperature (nom.)	4100 K
Luminous efficacy (rated) (nom.)	91 lm/W
Color rendering index (min.)	62
Color rendering index (nom.)	65

##### Operating and Electrical

Lamp supply voltage	230 V [ 230]
---------------------	--------------

Power (Rated) (Nom)	1040.0 W
Lamp current run-up (max.)	12.5 A
Lamp current (EM) (nom.)	8.9 A
Ignition supply voltage (min.)	198 V
Voltage (Max)	145 V
Voltage (Min)	115 V
Voltage (Nom)	130 V

##### Controls and Dimming

Dimmable	no
----------	----

##### Mechanical and Housing

Bulb finish	Clear
Cap base information	Cable (C)

##### Approval and Application

Energy efficiency label (EEL)	A+
Mercury (Hg) content (nom.)	85 mg
Energy Consumption kWh/1000 h	1144 kWh

##### UV

PET (NIOSH) (nom.)	0.049 h.klx
Damage factor D/fc (nom.)	3.4
Specific eff. radiant power	235 mW/klm

# MASTER MHN-FC

## Luminaire Design Requirements

Bulb temperature (max.)	950 °C
Pinch temperature (max.)	350 °C

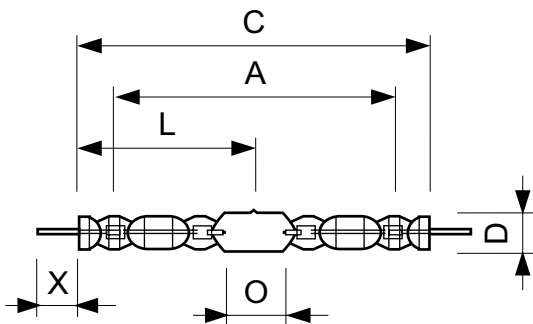
## Product Data

Full product code	871150021424900
Order product name	MASTER MHN-FC 1000W/740 230V XW
EAN/UPC – product	8718291548256
Order code	21424900

Local Code	MHNFC1000W740
Numerator – quantity per pack	1
Numerator – packs per outer box	1
Material no. (12NC)	928075705130
Net weight (piece)	140.000 g
ILCOS Code	MD-1000/40/2B-H-XW

## Warnings and Safety

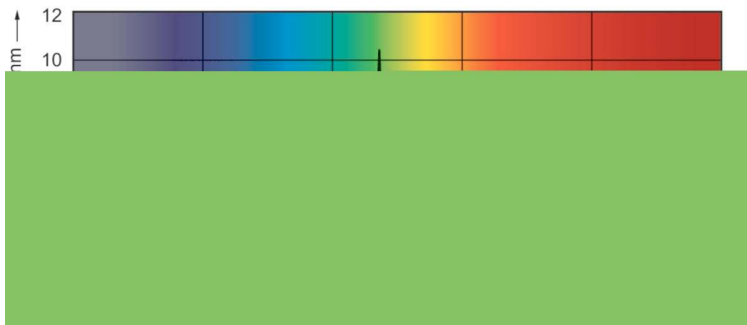
### Dimensional drawing



MHN-FC 1000W/740 230V XW

Product	D (max)	D	O	X	L	A	C (max)
MASTER MHN-FC 1000W/740 230V XW	33 mm	25.5 mm	42.5 mm	58 mm	144 mm	226 mm	290 mm

### Photometric data



# MASTER MHN-FC

## Lifetime

