

PHILIPS

Lighting



CosmoPolis CosmoWhite

CPO-TW 140W/728 White PGZ12

Philips Cosmopolis Outdoor Lighting System simplifies outdoor lighting with the combination of a miniature lamp and an optimized electronic ballast system.

Product data

General Information	
Cap-Base	PGZ12 [PGZ12]
Operating Position	Universal [Universal]
Life to 5% Failures (Nom)	18000 h
Life To 10% Failures (Nom)	20000 h
Life to 20% Failures (Nom)	24000 h
Life to 50% Failures (Nom)	30000 h
ANSI Code HID	C189/E
LSF 2000 h Rated	99 %
LSF 4000 h Rated	99 %
LSF 6000 h Rated	99 %
LSF 8000 h Rated	99 %
LSF 12000 h Rated	99 %
LSF 16000 h Rated	97 %
LSF 20000 h Rated	90 %
LSF 24000 h Rated	80 %
LSF 30000 h Rated	50 %
Chromaticity Coordinate X (Nom)	440
Chromaticity Coordinate Y (Nom)	413
Luminous Efficacy (rated) (Nom)	125 lm/W
Color Rendering Index (Nom)	72
LLMF 2000 h Rated	94 %
LLMF 4000 h Rated	93 %
LLMF 6000 h Rated	92 %
LLMF 8000 h Rated	91 %
LLMF 12000 h Rated	89 %
LLMF 16000 h Rated	88 %
LLMF 20000 h Rated	87 %
LLMF 24000 h Rated	86 %
Ratio Scotopic/Photopic Lumens	1.30
Operating and Electrical	
Power (Rated) (Nom)	140.0 W
Ignition Peak Voltage (Max)	5000 V
Re-Ignition Time (Min) (Max)	900 s
Ignition Time (Max)	30 s
Voltage (Max)	100 V
Voltage (Min)	88 V
Light Technical	
Color Code	728 [CCT of 2800K]
Luminous Flux (Rated) (Nom)	17600 lm
Color Designation	White (WH)

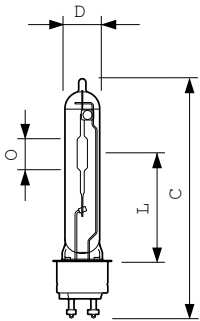
CosmoPolis CosmoWhite

Voltage (Nom)	94 V
Controls and Dimming	
Dimmable	Yes
Run-Up Time 90% (Max)	4 min
Mechanical and Housing	
Bulb Finish	Clear
Approval and Application	
Energy Efficiency Label (EEL)	A+
Mercury (Hg) Content (Nom)	3.9 mg
Energy Consumption kWh/1000 h	154 kWh
UV	
Pet (Niosh) (Min)	8 h/500lx
Damage Factor D/fc (Nom)	0.14

Luminaire Design Requirements	
Bulb Temperature (Max)	550 °C
Cap-Base Temperature (Max)	300 °C
Product Data	
Order product name	CPO-TW 140W/728 White PGZ12
EAN/UPC - Product	046677157326
Order code	157321
Numerator - Quantity Per Pack	1
Numerator - Packs per outer box	12
Material Nr. (12NC)	928088805105
Net Weight (Piece)	0.040 kg
ILCOS Code	MT-140/728-H-PGZ12-20/150

Warnings and Safety

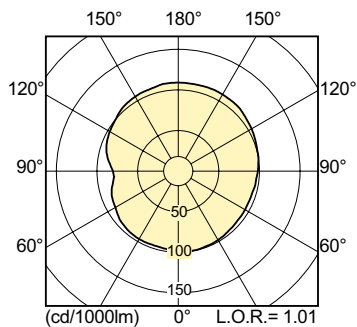
Dimensional drawing



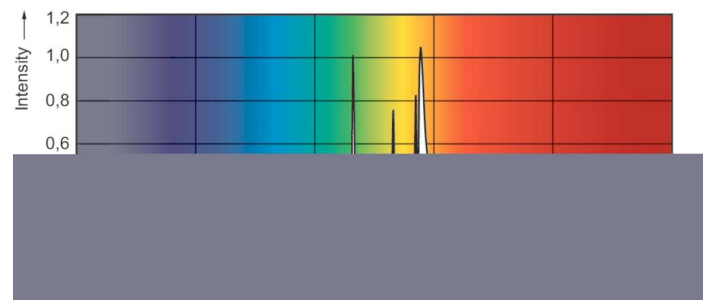
CPO-TW Xtra 140W/728 PGZ12

Product
CPO-TW 140W/728 White PGZ12

Photometric data



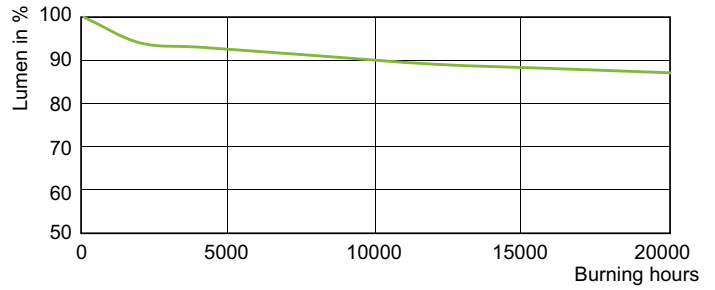
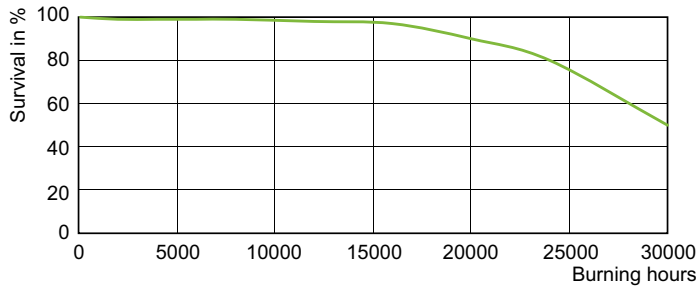
CPO-TW Xtra 140 W /728



MASTER CosmoWhite CPO-TW Xtra 140 W /728

CosmoPolis CosmoWhite

Lifetime



CPO-TW Xtra 140 W Life Expectancy /728

CPO-TW Xtra 140 W Lumen Maintenance /728

