

PHILIPS

Lighting



MASTER CosmoWhite CPO-TW & CPO-TW Xtra

MASTER CosmoWhite CPO-TW Xtra 140W/728 PGZ12

New-generation ceramic metal halide lamps used in Outdoor offering efficient and pleasant white light

Product data

General Information	
Cap base	PGZ12 [PGZ12]
Burning Position	UNIVERSAL [Any/Universal]
Life to 5% failures (nom.)	18000 h
Life to 10% failures (nom.)	20000 h
Life to 20% failures (nom.)	24000 h
Life to 50% failures (nom.)	30000 h
ANSI code HID	C189/E
LSF 2000 h Rated	99 %
LSF 4000 h Rated	99 %
LSF 6000 h Rated	99 %
LSF 8000 h Rated	99 %
LSF 12000 h Rated	99 %
LSF 16000 h Rated	97 %
LSF 20000 h Rated	90 %
LSF 24000 h Rated	80 %
LSF 30000 h Rated	50 %

Light Technical	
Colour Code	728 [CCT of 2,800 K]
Lamp Luminous Flux (Nom)	17600 lm
Colour Designation	White (WH)
Chromaticity coordinate X (nom.)	440
Chromaticity coordinate Y (nom.)	413
Lamp Luminous Efficacy EM (Nom)	125 lm/W
Colour Rendering Index,horiz (Nom)	72
LLMF 2000 h Rated	94 %
LLMF 4000 h Rated	93 %
LLMF 6000 h Rated	92 %
LLMF 8000 h Rated	91 %
LLMF 12000 h Rated	89 %
LLMF 16000 h Rated	88 %
LLMF 20000 h Rated	87 %
LLMF 24000 h Rated	86 %
Ratio Scotopic/Photopic Lumens	1.30

MASTER CosmoWhite CPO-TW & CPO-TW Xtra

Operating and Electrical

Power (Rated) (Nom)	140.0 W
Ignition peak voltage (max.)	5000 V
Re-ignition time (min.) (max.)	900 s
Ignition time (max.)	30 s
Voltage (Max)	100 V
Voltage (Min)	88 V
Voltage (Nom)	94 V

Controls and Dimming

Dimmable	yes
Run-up time 90% (max.)	4 min

Mechanical and Housing

Bulb finish	Clear
-------------	-------

Approval and Application

Energy efficiency label (EEL)	A+
Mercury (Hg) content (nom.)	3.9 mg
Energy Consumption kWh/1000 h	154 kWh

UV

PET (NIOSH) (min.)	8 h/500lx
--------------------	-----------

Damage factor D/fc (nom.)	0,14
---------------------------	------

Luminaire Design Requirements

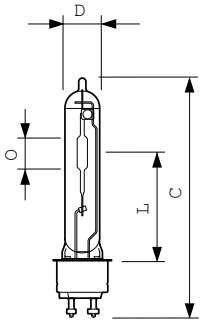
Bulb temperature (max.)	550 °C
Cap base temperature (max.)	300 °C

Product Data

Full product code	871150020853815
Order product name	MASTER CosmoWhite CPO-TW Xtra 140W/728 PGZ12
EAN/UPC – product	8711500208538
Order code	928088805127
Local Code	CPOTWHITE140W7
Numerator – quantity per pack	1
Numerator – packs per outer box	12
Material no. (12NC)	928088805127
Net weight (piece)	0.040 kg
ILCOS Code	MT-140/728-H-PGZ12-20/150

Warnings and Safety

Dimensional drawing



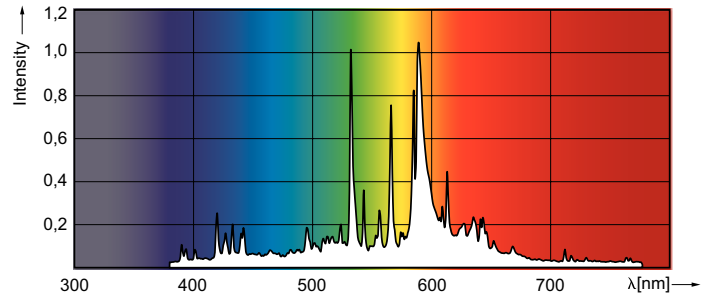
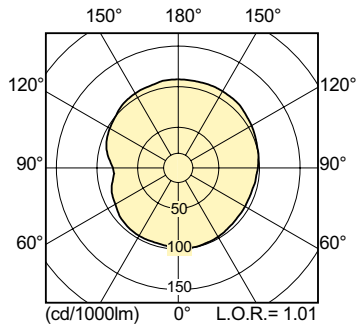
CPO-TW Xtra 140W/728 PGZ12

Product

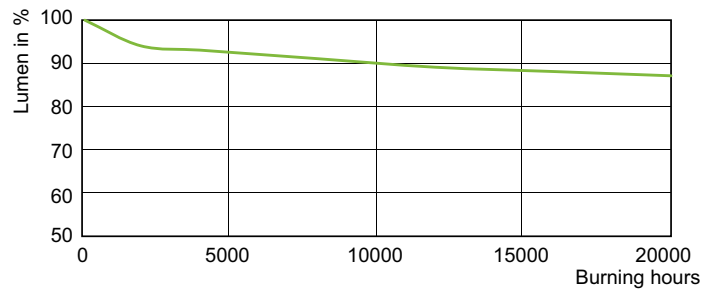
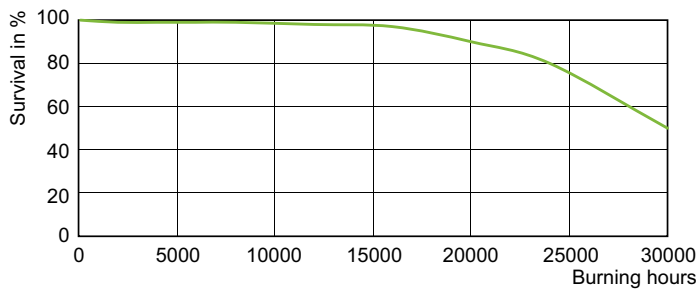
MASTER CosmoWhite CPO-TW Xtra 140W/728 PGZ12

MASTER CosmoWhite CPO-TW & CPO-TW Xtra

Photometric data



Lifetime



LDLM_CPO-TW_0006-Lumen maintenance diagram

