



MASTER CosmoWhite CPO-TW & CPO-TW Xtra

MASTER CosmoWhite CPO-TW Xtra 90W/728 PGZ12

New-generation ceramic metal halide lamps used in Outdoor offering efficient and pleasant white light

Product data

General Information	
Cap base	PGZ12 [PGZ12]
Operating position	UNIVERSAL [Any/Universal]
Life to 5% failures (nom.)	21500 h
Life to 10% failures (nom.)	24000 h
Life to 20% failures (nom.)	27000 h
Life to 50% failures (nom.)	32000 h
ANSI code HID	C188/E
LSF 2000 h Rated	99 %
LSF 4000 h Rated	99 %
LSF 6000 h Rated	99 %
LSF 8000 h Rated	99 %
LSF 12000 h Rated	99 %
LSF 16000 h Rated	99 %
LSF 20000 h Rated	97 %
LSF 24000 h Rated	90 %
LSF 30000 h Rated	63 %

Light Technical	
Colour code	728 [CCT of 2,800 K]
Luminous flux (rated) (nom.)	10800 lm
Colour designation	White (WH)
Chromaticity coordinate X (nom.)	449
Chromaticity coordinate Y (nom.)	412
Luminous efficacy (rated) (nom.)	120 lm/W
Color rendering index (min.)	67
Color rendering index (nom.)	70
LLMF 2000 h Rated	94 %
LLMF 4000 h Rated	93 %
LLMF 6000 h Rated	93 %
LLMF 8000 h Rated	93 %
LLMF 12000 h Rated	92 %
LLMF 16000 h Rated	91 %
LLMF 20000 h Rated	90 %
Ratio Scotopic/Photopic Lumens	1.15

MASTER CosmoWhite CPO-TW & CPO-TW Xtra

Operating and Electrical

Power (Rated) (Nom)	90.0 W
Ignition peak voltage (max.)	5000 V
Re-ignition time (min.) (max.)	900 s
Ignition time (max.)	30 s
Voltage (Max)	98 V
Voltage (Min)	86 V
Voltage (Nom)	92 V

Controls and Dimming

Dimmable	yes
Run-up time 90% (max.)	4 min

Mechanical and Housing

Bulb finish	Clear
-------------	-------

Approval and Application

Energy efficiency label (EEL)	A+
Mercury (Hg) content (nom.)	3.0 mg
Energy Consumption kWh/1000 h	99 kWh

UV

PET (NIOSH) (min.)	8 h/500lx
--------------------	-----------

PET (NIOSH) (nom.)	38 h/500lx
Damage factor D/fc (nom.)	0.18

Luminaire Design Requirements

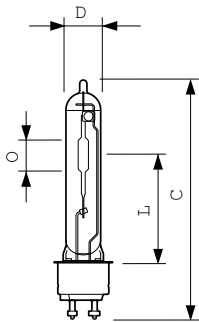
Bulb temperature (max.)	470 °C
Cap base temperature (max.)	300 °C

Product Data

Full product code	871150021121715
Order product name	MASTER CosmoWhite CPO-TW Xtra 90W/728 PGZ12
EAN/UPC – product	8711500211217
Order code	21121715
Local Code	90CPOTW728
Numerator – quantity per pack	1
Numerator – packs per outer box	12
Material no. (12NC)	928093505127
Net weight (piece)	0.037 kg
ILCOS Code	MT-90/728-H-PGZ12-20/143

Warnings and Safety

Dimensional drawing



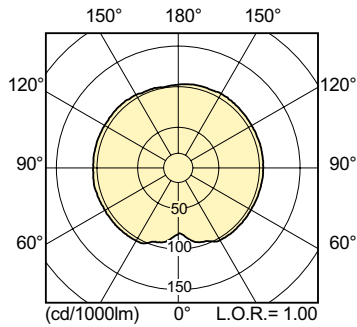
CPO-TW Xtra 90W/728 PGZ12

Product

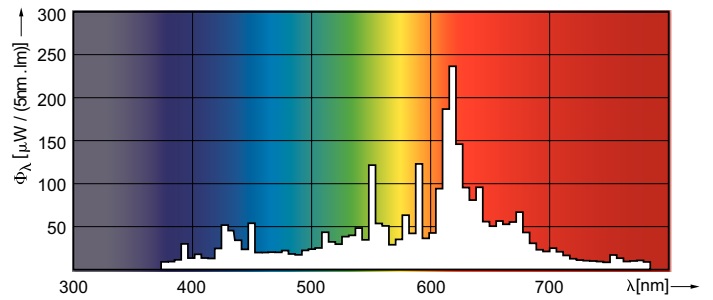
MASTER CosmoWhite CPO-TW Xtra 90W/728 PGZ12

MASTER CosmoWhite CPO-TW & CPO-TW Xtra

Photometric data

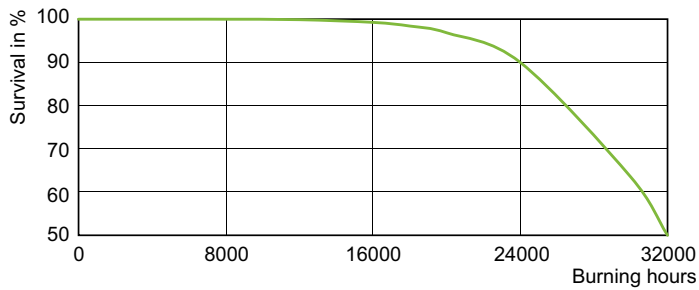


LDLD_CPO-TW_0003-Light distribution diagram

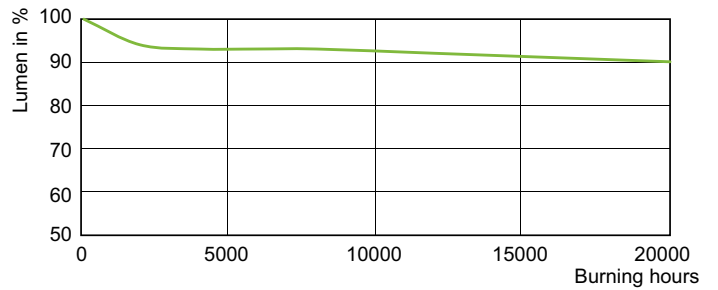


LDPO_CPO-TW_90W_728-Spectral power distribution Colour

Lifetime



LDLE_CPO-TW_0001-Life expectancy diagram



LDLM_CPO-TW_0003-Lumen maintenance diagram

