



MasterColor CDM-TM

CDM 35/TM/930

Introducing the smallest 20W ceramic metal halide lamp together with the unique e-Vision® electronic ballast. It's visually pleasing and financially rewarding, so the focus can be on your merchandise and not the ceiling clutter.

Product data

| General Information | |
|------------------------------------|------------------------|
| Cap-Base | PGJ5 [PGJ5] |
| Operating Position | UNIVERSAL [Universal] |
| Life to 5% Failures (Nom) | 9000 h |
| Life To 10% Failures (Nom) | 10000 h |
| Life to 20% Failures (Nom) | 11000 h |
| Life to 50% Failures (Nom) | 12000 h |
| Light Technical | |
| Color Code | 930 [CCT of 3000K] |
| Luminous Flux (Rated) (Nom) | 3000 lm |
| Color Designation | Warm White (WW) |
| Lumen Maintenance 1000 h (Nom) | 85 % |
| Lumen Maintenance 10000 h (Nom) | 60 % |
| Lumen Maintenance 2000 h (Nom) | 80 % |
| Lumen Maintenance 5000 h (Nom) | 70 % |
| Chromaticity Coordinate X (Nom) | 0.436 |
| Chromaticity Coordinate Y (Nom) | 0.396 |
| Correlated Color Temperature (Nom) | 3000 K |
| Luminous Efficacy (rated) (Nom) | 77 lm/W |
| Color Rendering Index (Min) | 88 |
| Color Rendering Index (Nom) | 91 |

| Operating and Electrical | |
|-------------------------------|-----------|
| Power (Rated) (Nom) | 39.1 W |
| Lamp Current Run-Up (Max) | 0.7 A |
| Re-Ignition Time (Min) (Max) | 15 min |
| Ignition Time (Max) | 30 s |
| Voltage (Max) | 104 V |
| Voltage (Min) | 88 V |
| Voltage (Nom) | 96 V |
| Controls and Dimming | |
| Dimmable | No |
| Run-Up Time 90% (Max) | 3 min |
| Mechanical and Housing | |
| Bulb Finish | Clear |
| Approval and Application | |
| Energy Efficiency Label (EEL) | A |
| Mercury (Hg) Content (Nom) | 2.74 mg |
| Energy Consumption kWh/1000 h | 43 kWh |
| UV | |
| Pet (Niosh) (Min) | 8 h/500lx |

MasterColor CDM-TM

| | |
|--------------------------|-----|
| Damage Factor D/fc (Max) | 0.4 |
|--------------------------|-----|

Luminaire Design Requirements

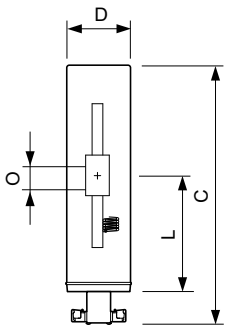
| | |
|----------------------------|--------|
| Bulb Temperature (Max) | 480 °C |
| Cap-Base Temperature (Max) | 250 °C |

Product Data

| | |
|--------------------|---------------|
| Order product name | CDM 35/TM/930 |
| EAN/UPC - Product | 046677211394 |

| | |
|---------------------------------|-------------------------------|
| Order code | 928093905115 |
| Numerator - Quantity Per Pack | 1 |
| Numerator - Packs per outer box | 12 |
| Material Nr. (12NC) | 928093905115 |
| Net Weight (Piece) | 0.006 kg |
| ILCOS Code | MT/UB-35/930-H/L-PGJ5-13.3/52 |

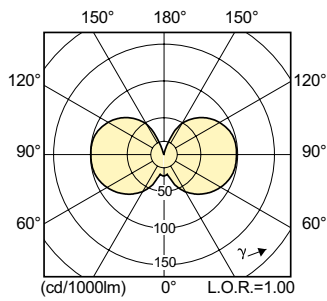
Dimensional drawing



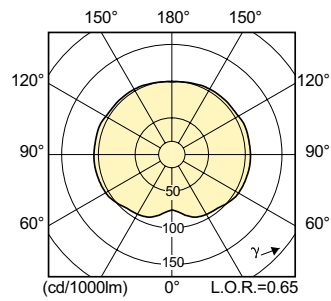
CDM-Tm 35W/930 PGJ5

| Product | D (max) | D | O | L (min) | L (max) | L | C (max) |
|---------------|---------|---------|------|---------|---------|---------|---------|
| CDM 35/TM/930 | 13.2 mm | 0.44 in | 4 mm | 22.3 mm | 22.9 mm | 22.6 mm | 52 mm |

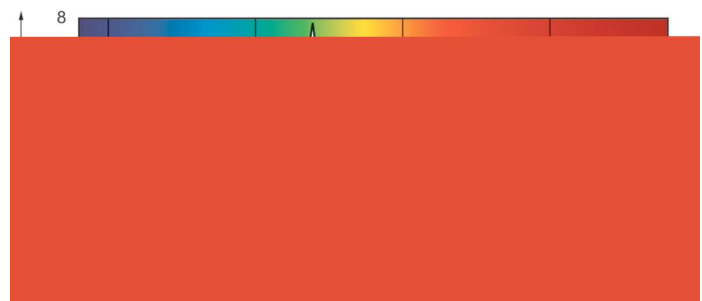
Photometric data



CDM-Tm 35W /930 PGJ5



MASTERColour CDM-Tm Mini /830 & /930



MasterColor CDM-TM

Lifetime



CDM-Tm Elite 35W Life Expectancy /930 PGJ5

CDM-Tm Elite 35W Lumen Maintenance /930 PGJ5

