

PHILIPS

Lighting



MASTERCoulour CDM-Tm Mini PGJ5

MASTERC CDM-TM MINI 35W/930 PGJ5 1CT/12

Miniature, single-ended ceramic metal halide lamp PGJ5 twist-lock lamp base

Product data

General Information

Cap base	PGJ5 [PGJ5]
Operating position	UNIVERSAL [Any/Universal]
Life to 5% failures (nom.)	9000 h
Life to 10% failures (nom.)	10000 h
Life to 20% failures (nom.)	11000 h
Life to 50% failures (nom.)	12000 h

Light Technical

Colour code	930 [CCT of 3,000 K]
Luminous flux (rated) (nom.)	3000 lm
Colour designation	Warm white (WW)
Lumen maintenance 1,000 hours (nom.)	85 %
Lumen maintenance 10,000 hours (nom.)	60 %
Lumen maintenance 2,000 hours (nom.)	80 %
Lumen maintenance 5,000 hours (nom.)	70 %
Chromaticity coordinate X (nom.)	0.436
Chromaticity coordinate Y (nom.)	0.396
Correlated colour temperature (nom.)	3000 K
Luminous efficacy (rated) (nom.)	77 lm/W
Color rendering index (min.)	88
Color rendering index (nom.)	91

Operating and Electrical

Power (Rated) (Nom)	39.0 W
Lamp current run-up (max.)	0.7 A
Re-ignition time (min.) (max.)	15 min
Ignition time (max.)	30 s
Voltage (Max)	104 V
Voltage (Min)	88 V
Voltage (Nom)	96 V

Controls and Dimming

Dimmable	no
Run-up time 90% (max.)	3 min

Mechanical and Housing

Bulb finish	Clear
-------------	-------

Approval and Application

Energy efficiency label (EEL)	A
Mercury (Hg) content (nom.)	2.74 mg
Energy Consumption kWh/1000 h	43 kWh

UV

PET (NIOSH) (min.)	8 h/500lx
--------------------	-----------

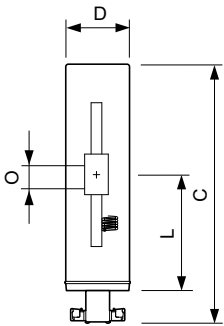
MASTERColour CDM-Tm Mini PGJ5

Damage factor D/fc (max.)	0.4
Luminaire Design Requirements	
Bulb temperature (max.)	480 °C
Cap base temperature (max.)	250 °C
Product Data	
Full product code	871150021149115
Order product name	MASTERColour CDM-Tm Mini 35W/930 PGJ5 1CT/12

EAN/UPC – product	8711500211491
Order code	21149115
Local Code	35CDMTM930
Numerator – quantity per pack	1
Numerator – packs per outer box	12
Material no. (12NC)	928093905130
Net weight (piece)	0.006 kg
ILCOS Code	MT/UB-35/930-H/L-PGJ5-13.3/52

Warnings and Safety

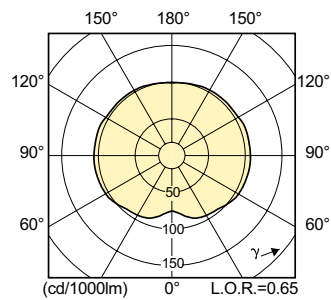
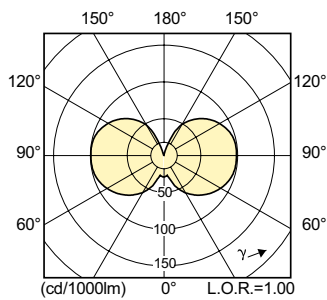
Dimensional drawing



CDM-Tm 35W/930 PGJ5

Product	D (max)	D	O	L (min)	L (max)	L	C (max)
MASTERColour CDM-Tm Mini 35W/930 PGJ5 1CT/12	13.3 mm	0.44 in	4 mm	22.3 mm	22.9 mm	22.6 mm	52 mm

Photometric data



MASTERCcolour CDM-Tm Mini PGJ5

Lifetime

