



MASTER CityWhite CDO-ET

MASTER CityWhite CDO-ET Plus 70W/828 E27

Ceramic metal halide lamp, with opalized ovoid outer bulb shape, used in outdoor offering pleasant white light

Product data

General Information	
Cap base	E27 [E27]
Burning Position	UNIVERSAL [Any/Universal]
Life to 5% failures (nom.)	13000 h
Life to 10% failures (nom.)	15000 h
Life to 20% failures (nom.)	17000 h
Life to 50% failures (nom.)	27000 h
LSF 2000 h Rated	99 %
LSF 4000 h Rated	99 %
LSF 6000 h Rated	98 %
LSF 8000 h Rated	96 %
LSF 12000 h Rated	90 %
LSF 16000 h Rated	81 %
LSF 20000 h Rated	71 %
Light Technical	
Colour Code	828 [CCT of 2,800 K]
Lamp Luminous Flux (Nom)	7050 lm
Colour Designation	Warm white (WW)
Chromaticity coordinate X (nom.)	438
Chromaticity coordinate Y (nom.)	398
Colour Temperature, horizontal (Nom)	2900 K

Lamp Luminous Efficacy EM (Nom)	100 lm/W
Colour Rendering Index,horiz (Min)	81
Colour Rendering Index,horiz (Nom)	84
LLMF 2000 h Rated	97 %
LLMF 4000 h Rated	93 %
LLMF 6000 h Rated	89.5 %
LLMF 8000 h Rated	86 %
LLMF 12000 h Rated	80.5 %
LLMF 16000 h Rated	76.5 %
LLMF 20000 h Rated	73.5 %
Ratio Scotopic/Photopic Lumens	1.30

Operating and Electrical	
Power (Rated) (Nom)	70.5 W
Lamp current run-up (max.)	1.96 A
Lamp current (EM) (nom.)	0.98 A
Ignition supply voltage (max.)	198 V
Ignition peak voltage (max.)	2500 V
Ignition supply voltage (min.)	198 V
Re-ignition time (min.) (max.)	720 s
Ignition time (max.)	30 s
Voltage (Max)	96 V

MASTER CityWhite CDO-ET

Voltage (Min)	80 V
Voltage (Nom)	88 V

Controls and Dimming

Dimmable	yes
Run-up time 90% (max.)	3 min

Mechanical and Housing

Bulb finish	Coated glass
-------------	--------------

Approval and Application

Energy efficiency label (EEL)	A+
Mercury (Hg) content (nom.)	7.8 mg
Energy Consumption kWh/1000 h	78 kWh

UV

PET (NIOSH) (min.)	8 h/500lx
--------------------	-----------

Luminaire Design Requirements

Bulb temperature (max.)	350 °C
Cap base temperature (max.)	200 °C

Product Data

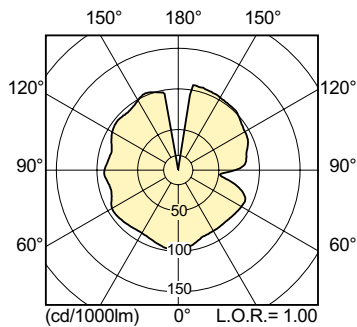
Full product code	871829115875200
Order product name	MASTER CityWhite CDO-ET Plus 70W/828 E27
EAN/UPC – product	8718291158752
Order code	928154708835
Local Code	CDOET70W828
Numerator – quantity per pack	1
Numerator – packs per outer box	24
Material no. (12NC)	928154708835
Net weight (piece)	57.000 g
ILCOS Code	ME70/28/1B-H-E27

Dimensional drawing

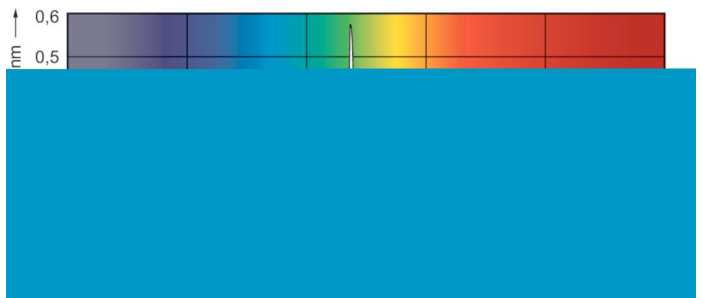
Product	D (max)	C (max)
MASTER CityWhite CDO-ET Plus 70W/828 E27	71 mm	156 mm

CDO-ET Plus 70W/828 E27

Photometric data

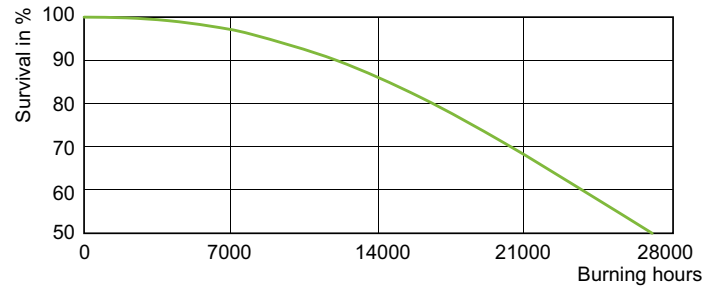


LDLD_CDO-ET_0001-Light distribution diagram



MASTER CityWhite CDO-ET

Lifetime



MASTER CityWhite CDO-ET Plus CDO-TT Plus 70W/828 E27

LDLE_CDO-ET_0001-Life expectancy diagram

