



# MASTER CityWhite CDO-ET

## MASTER CityWhite CDO-ET Plus 70W/828 E27

Ceramic metal halide lamp, with opalized ovoid outer bulb shape, used in outdoor offering pleasant white light

### Product data

General Information		Lamp Luminous Efficacy EM (Nom)	
Cap base	E27 [ E27]	Lamp Luminous Efficacy EM (Nom)	100 lm/W
Burning Position	UNIVERSAL [ Any/Universal]	Colour Rendering Index,horiz (Min)	81
Life to 5% failures (nom.)	13000 h	Colour Rendering Index,horiz (Nom)	84
Life to 10% failures (nom.)	15000 h	LLMF 2000 h Rated	97 %
Life to 20% failures (nom.)	17000 h	LLMF 4000 h Rated	93 %
Life to 50% failures (nom.)	27000 h	LLMF 6000 h Rated	89.5 %
LSF 2000 h Rated	99 %	LLMF 8000 h Rated	86 %
LSF 4000 h Rated	99 %	LLMF 12000 h Rated	80.5 %
LSF 6000 h Rated	98 %	LLMF 16000 h Rated	76.5 %
LSF 8000 h Rated	96 %	LLMF 20000 h Rated	73.5 %
LSF 12000 h Rated	90 %	Ratio Scotopic/Photopic Lumens	1.30
LSF 16000 h Rated	81 %		
LSF 20000 h Rated	71 %		
Light Technical		Operating and Electrical	
Colour Code	828 [ CCT of 2,800 K]	Power (Rated) (Nom)	70.5 W
Lamp Luminous Flux (Nom)	7050 lm	Lamp current run-up (max.)	1.96 A
Colour Designation	Warm white (WW)	Lamp current (EM) (nom.)	0.98 A
Chromaticity coordinate X (nom.)	438	Ignition supply voltage (max.)	198 V
Chromaticity coordinate Y (nom.)	398	Ignition peak voltage (max.)	2500 V
Colour Temperature, horizontal (Nom)	2900 K	Ignition supply voltage (min.)	198 V
		Re-ignition time (min.) (max.)	720 s
		Ignition time (max.)	30 s
		Voltage (Max)	96 V

# MASTER CityWhite CDO-ET

Voltage (Min)	80 V
Voltage (Nom)	88 V

## Controls and Dimming

Dimmable	yes
Run-up time 90% (max.)	3 min

## Mechanical and Housing

Bulb finish	Coated glass
-------------	--------------

## Approval and Application

Energy efficiency label (EEL)	A+
Mercury (Hg) content (nom.)	7.8 mg
Energy Consumption kWh/1000 h	78 kWh

## UV

PET (NIOSH) (min.)	8 h/500lx
--------------------	-----------

## Luminaire Design Requirements

Bulb temperature (max.)	350 °C
Cap base temperature (max.)	200 °C

## Product Data

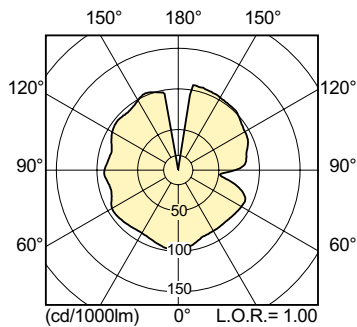
Full product code	871829115875200
Order product name	MASTER CityWhite CDO-ET Plus 70W/828 E27
EAN/UPC – product	8718291158752
Order code	15875200
Numerator – quantity per pack	1
Numerator – packs per outer box	24
Material no. (12NC)	928154708835
Net weight (piece)	57.000 g
ILCOS Code	ME70/28/1B-H-E27

## Dimensional drawing

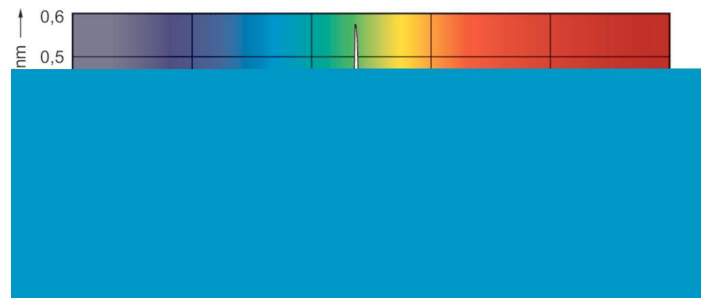
Product	D (max)	C (max)
MASTER CityWhite CDO-ET Plus 70W/828 E27	71 mm	156 mm

## CDO-ET Plus 70W/828 E27

## Photometric data

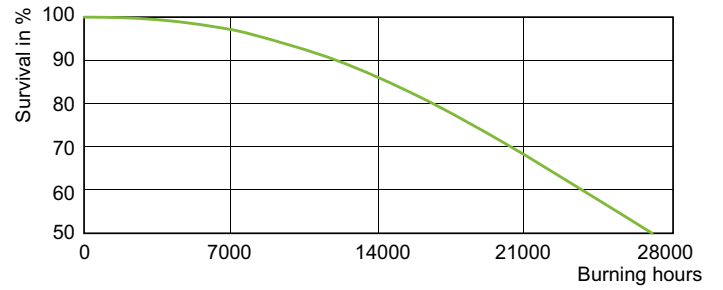


## LDLD\_CDO-ET\_0001-Light distribution diagram



# MASTER CityWhite CDO-ET

## Lifetime



MASTER CityWhite CDO-ET Plus CDO-TT Plus 70W/828 E27

LDLE\_CDO-ET\_0001-Life expectancy diagram

