



MASTERColour CDM-T Elite

MASTERColour CDM-T Elite 100W/930 G12 1CT/12

Single-ended, high-efficiency Ceramic Metal Halide discharge lamp

Product data

General Information		Color rendering index (min.)		89	
Cap base	G12 [G12]	Color rendering index (nom.)		92	
Operating position	UNIVERSAL [Any/Universal]	Operating and Electrical			
Life to 5% failures (nom.)	12000 h	Power (Rated) (Min)	100.0 W		
Life to 10% failures (nom.)	14000 h	Power (Rated) (Nom)	100.0 W		
Life to 20% failures (nom.)	16000 h	Lamp current run-up (max.)	1.8 A		
Life to 50% failures (nom.)	20000 h	Ignition supply voltage (max.)	198 V		
ANSI code HID	C191/E	Ignition peak voltage (max.)	4500 V		
Light Technical		Ignition supply voltage (min.)	198 V		
Colour code	930 [CCT of 3,000 K]	Re-ignition time (min.) (max.)	15 min		
Luminous flux (rated) (nom.)	11000 lm	Ignition time (max.)	30 s		
Colour designation	Warm white (WW)	Voltage (Max)	94 V		
Lumen maintenance 1,000 hours (nom.)	97 %	Voltage (Min)	82 V		
Lumen maintenance 12,000 hours (nom.)	85 %	Voltage (Nom)	88 V		
Lumen maintenance 10,000 hours (nom.)	87 %	Controls and Dimming			
Lumen maintenance 2,000 hours (nom.)	95 %	Dimmable	no		
Lumen maintenance 4,000 hours (nom.)	93 %	Run-up time 90% (max.)	3 min		
Lumen maintenance 5,000 hours (nom.)	92 %	Mechanical and Housing			
Chromaticity coordinate X (nom.)	0.432	Bulb finish	Clear		
Chromaticity coordinate Y (nom.)	0.399				
Correlated colour temperature (nom.)	3000 K				
Luminous efficacy (rated) (nom.)	110 lm/W				

MASTERCoulour CDM-T Elite

Approval and Application

Energy efficiency label (EEL)	A+
Mercury (Hg) content (nom.)	10.1 mg
Energy Consumption kWh/1000 h	110 kWh

UV

PET (NIOSH) (min.)	8 h/500lx
Damage factor D/fc (max.)	0.2

Luminaire Design Requirements

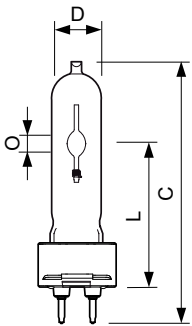
Bulb temperature (max.)	550 °C
Cap base temperature (max.)	250 °C
Pinch temperature (max.)	350 °C

Product Data

Full product code	872790087169200
Order product name	MASTERCoulour CDM-T Elite 100W/930 G12 1CT/12
EAN/UPC – product	8727900871692
Order code	87169200
Local Code	100CDMTELITE930
Numerator – quantity per pack	1
Numerator – packs per outer box	12
Material no. (12NC)	928183205125
Net weight (piece)	0.030 kg
ILCOS Code	MT/UB-100/930-H-G12-21/100

Warnings and Safety

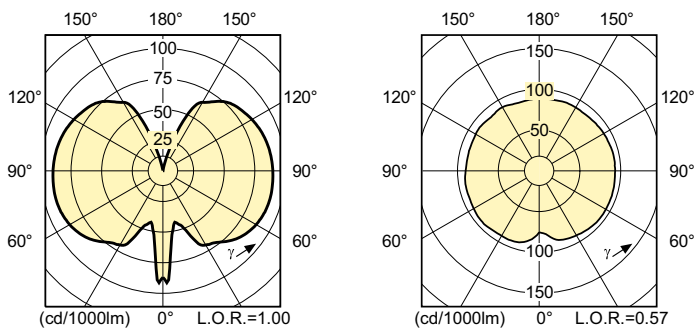
Dimensional drawing



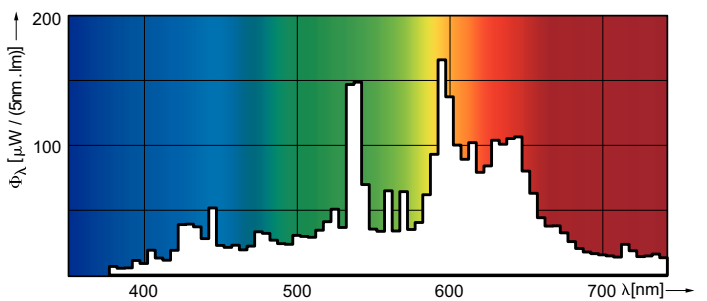
CDM-T Elite 100W/930 G12

Product	D (max)	O	L (min)	L (max)	L	C (max)
MASTERCoulour CDM-T Elite 100W/930 G12 1CT/12	20 mm	8.5 mm	55 mm	57 mm	56 mm	110 mm

Photometric data



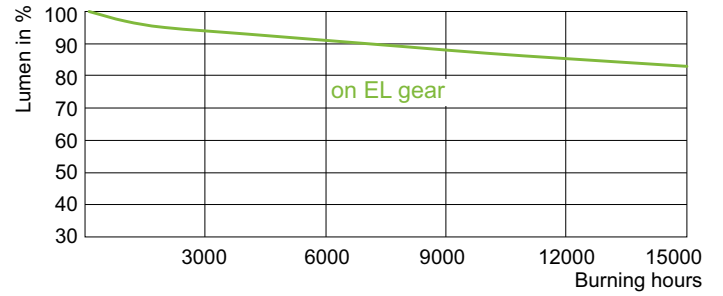
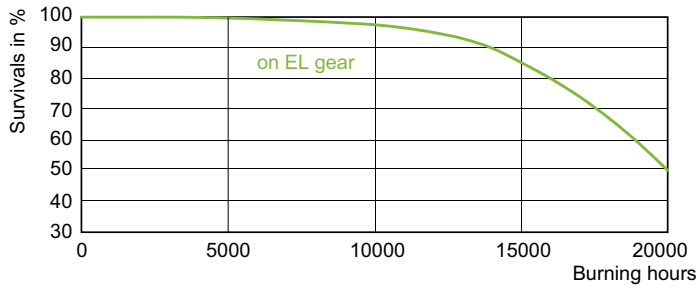
LDLD_CDM-T-E_0006-Light distribution diagram



LDPO_CDM-T-E_100W_930-Spectral power distribution Colour

MASTERColour CDM-T Elite

Lifetime



LDLE_CDM-T-E_0006-Life expectancy diagram

