



# MASTERColour CDM-TC

## MASTERColour CDM-TC Elite 20W/830 G8.5 1CT/12

Range of single-ended, very compact, high-efficiency, discharge lamps with a stable colour over lifetime and a crisp, sparkling light

### Product data

General Information	
Cap base	G8.5 [ G8.5]
Operating position	UNIVERSAL [ Any/Universal]
Life to 5% failures (nom.)	12000 h
Life to 10% failures (nom.)	14000 h
Life to 20% failures (nom.)	16000 h
Life to 50% failures (nom.)	20000 h
ANSI code HID	-
Light Technical	
Colour code	830 [ CCT of 3,000 K]
Luminous flux (rated) (min.)	1620 lm
Luminous flux (rated) (nom.)	1800 lm
Colour designation	Warm white (WW)
Lumen maintenance 12,000 hours (nom.)	77 %
Lumen maintenance 10,000 hours (nom.)	78 %
Lumen maintenance 2,000 hours (nom.)	87 %
Lumen maintenance 5,000 hours (nom.)	83 %
Chromaticity coordinate X (nom.)	0.434
Chromaticity coordinate Y (nom.)	0.391
Correlated colour temperature (nom.)	2980 K

Luminous efficacy (rated) (nom.)	90 lm/W
Color rendering index (nom.)	85
Operating and Electrical	
Power (Rated) (Min)	20.0 W
Power (Rated) (Nom)	20 W
Lamp current run-up (max.)	0.5 A
Re-ignition time (min.) (max.)	15 min
Ignition time (max.)	30 s
Voltage (Max)	100 V
Voltage (Min)	90 V
Voltage (Nom)	95 V
Controls and Dimming	
Dimmable	no
Run-up time 90% (max.)	3 min
Mechanical and Housing	
Bulb finish	Clear
Bulb material	UV-Block Quartz

# MASTERCoulour CDM-TC

## Approval and Application

Energy efficiency label (EEL)	A+
Mercury (Hg) content (nom.)	3.5 mg
Energy Consumption kWh/1000 h	22 kWh

## UV

PET (NIOSH) (min.)	8 h/500lx
Damage factor D/fc (max.)	0.4

## Luminaire Design Requirements

Bulb temperature (max.)	320 °C
Pinch temperature (max.)	300 °C

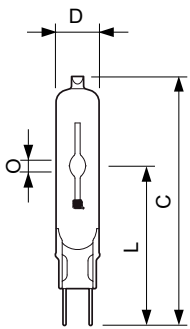
## Product Data

Full product code	872790087158600
-------------------	-----------------

Order product name	MASTERCoulour CDM-TC Elite 20W/830 G8.5 1CT/12
EAN/UPC – product	8727900871586
Order code	87158600
Local Code	20CDMTC830+
Numerator – quantity per pack	1
Numerator – packs per outer box	12
Material no. (I2NC)	928183405125
Net weight (piece)	9.000 g
ILCOS Code	MT/UB-20/830-H-G8.5-17/85

## Warnings and Safety

### Dimensional drawing

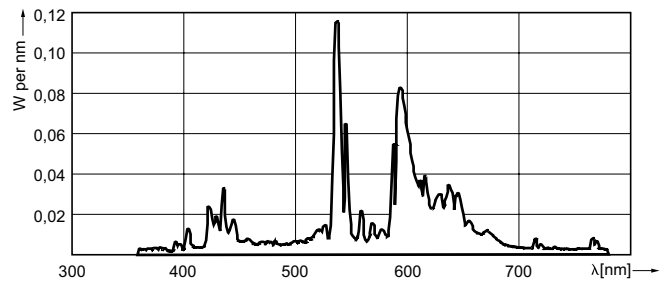
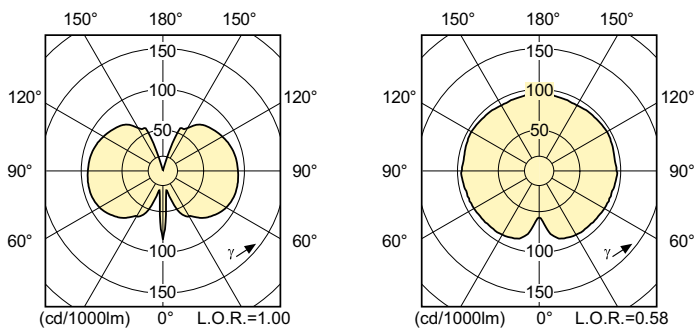


CDM-TC 20W/830 G8.5

## Product

MASTERCoulour CDM-TC Elite 20W/830 G8.5 1CT/12

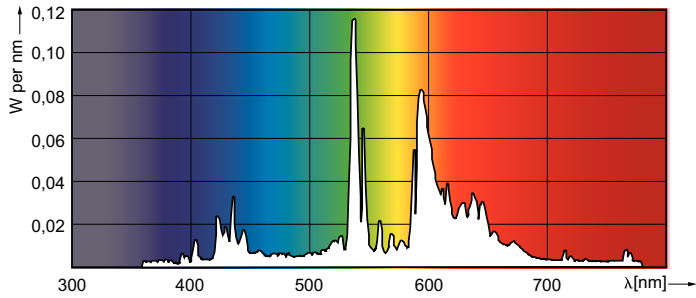
## Photometric data



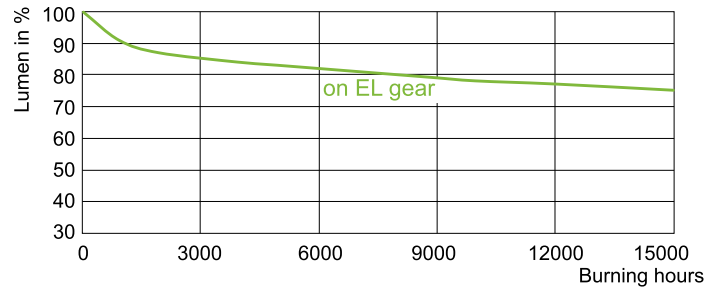
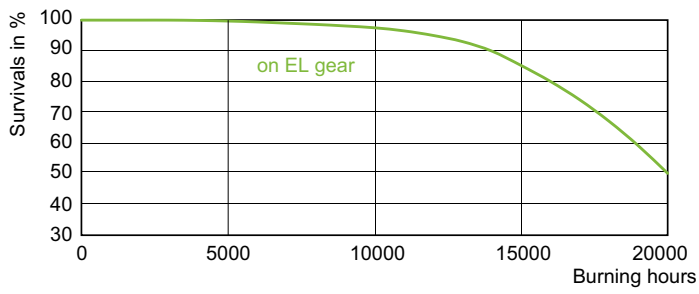
LDPB\_CDM-TC\_20W\_830-Spectral power distribution B/W

# MASTERCoulour CDM-TC

## Photometric data



## Lifetime



LDLE\_CDM-T-E\_0006-Life expectancy diagram

