



MASTERColour CDM-TC

MASTERColour CDM-TC Elite 20W/830 G8.5 1CT/12

Range of single-ended, very compact, high-efficiency, discharge lamps with a stable colour over lifetime and a crisp, sparkling light

Product data

General Information	
Cap base	G8.5 [G8.5]
Burning Position	UNIVERSAL [Any/Universal]
Life to 5% failures (nom.)	12000 h
Life to 10% failures (nom.)	14000 h
Life to 20% failures (nom.)	16000 h
Life to 50% failures (nom.)	20000 h
ANSI code HID	-
Light Technical	
Colour Code	830 [CCT of 3,000 K]
Lamp Luminous Flux (Min)	1620 lm
Lamp Luminous Flux (Nom)	1800 lm
Colour Designation	Warm white (WW)
Lumen maintenance 12,000 hours (nom.)	77 %
Lumen maintenance 10,000 hours (nom.)	78 %
Lumen maintenance 2,000 hours (nom.)	87 %
Lumen maintenance 5,000 hours (nom.)	83 %
Chromaticity coordinate X (nom.)	0.434
Chromaticity coordinate Y (nom.)	0.391
Colour Temperature, horizontal (Nom)	2980 K

Lamp Luminous Efficacy EM (Nom)	90 lm/W
Colour Rendering Index,horiz (Nom)	85
Operating and Electrical	
Power (Rated) (Min)	20.0 W
Power (Rated) (Nom)	20 W
Lamp current run-up (max.)	0.5 A
Re-ignition time (min.) (max.)	15 min
Ignition time (max.)	30 s
Voltage (Max)	100 V
Voltage (Min)	90 V
Voltage (Nom)	95 V
Controls and Dimming	
Dimmable	no
Run-up time 90% (max.)	3 min
Mechanical and Housing	
Bulb finish	Clear (CL)
Bulb material	UV-Block Quartz

MASTERCoulour CDM-TC

Approval and Application

Energy efficiency label (EEL)	A+
Mercury (Hg) content (nom.)	3.5 mg
Energy Consumption kWh/1000 h	22 kWh

UV

PET (NIOSH) (min.)	8 h/500lx
Damage factor D/fc (max.)	0.4

Luminaire Design Requirements

Bulb temperature (max.)	320 °C
Pinch temperature (max.)	300 °C

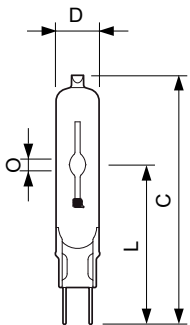
Product Data

Full product code	872790087158600
Order product name	MASTERCoulour CDM-TC Elite 20W/830 G8.5 1CT/12
EAN/UPC – product	8727900871586
Order code	928183405125
Numerator – quantity per pack	1
Numerator – packs per outer box	12
Material no. (12NC)	928183405125
Net weight (piece)	9.000 g
ILCOS Code	MT/UB-20/830-H-G8.5-17/85

Warnings and Safety

- Use only in totally enclosed luminaire, even during testing (IEC61167, IEC 62035, IEC60598)
- The luminaire must be able to contain hot lamp parts if the lamp ruptures
- Control gear must include end-of-life protection (IEC61167, IEC 62035)
- Use only with electronic control gear. 35W/830 lamps may also use electromagnetic gear.
- A lamp breaking is extremely unlikely to have any impact on your health. If a lamp breaks, ventilate the room for 30 minutes and remove the parts, preferably with gloves. Put them in a sealed plastic bag and take it to your local waste facilities for recycling. Do not use a vacuum cleaner.

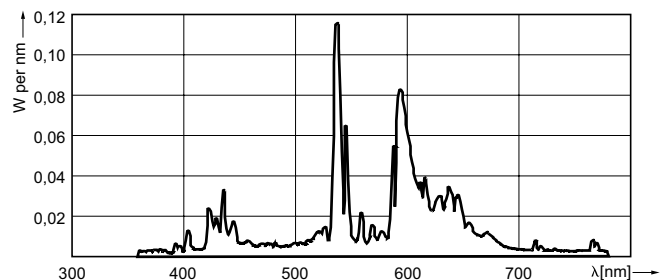
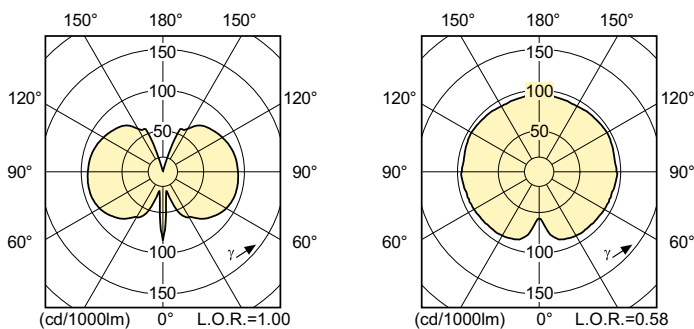
Dimensional drawing



CDM-TC 20W/830 G8.5

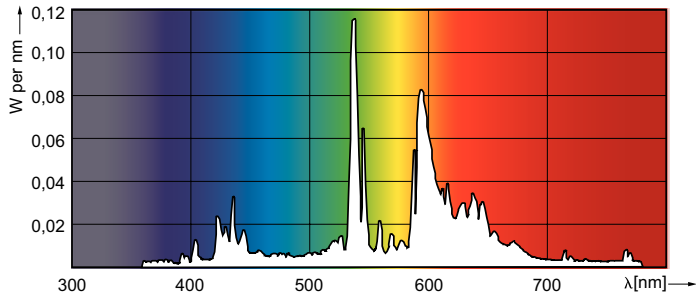
Product	D (max)	D	O	L (min)	L (max)	L	C (max)
MASTERCoulour CDM-TC Elite 20W/830 G8.5	15 mm	0.55 in	4 mm	51 mm	53 mm	52 mm	85 mm
1CT/12							

Photometric data



MASTERC colour CDM-TC

Photometric data



Lifetime

