

# PHILIPS

## Lighting



# MASTERColour CDM-Tm Elite Mini

## MASTERColour CDM-Tm Elite Mini 35W/930 GU6.5 1CT

Mini, single-ended, very high-efficiency, long-life Ceramic Metal Halide discharge lamp producing crisp white sparkling light with high colour rendering

### Product data

General Information	
Cap base	GU6.5 [ GU6.5]
Operating position	UNIVERSAL [ Any/Universal]
Life to 5% failures (nom.)	12000 h
Life to 10% failures (nom.)	14000 h
Life to 20% failures (nom.)	16000 h
Life to 50% failures (nom.)	20000 h
ANSI code HID	C130/E
Light Technical	
Colour code	930 [ CCT of 3,000 K]
Luminous flux (rated) (min.)	3600 lm
Luminous flux (rated) (nom.)	4000 lm
Colour designation	Warm white (WW)
Lumen maintenance 1,000 hours (nom.)	95 %
Lumen maintenance 12,000 hours (nom.)	80 %
Lumen maintenance 2,000 hours (nom.)	93 %
Lumen maintenance 4,000 hours (nom.)	90 %
Chromaticity coordinate X (nom.)	0.435
Chromaticity coordinate Y (nom.)	0.396
Correlated Colour Temperature (Nom)	3000 K

Luminous efficacy (rated) (nom.)	102 lm/W
Color rendering index (min.)	87
Color rendering index (nom.)	90

### Operating and Electrical

Power (Rated) (Nom)	39.1 W
Lamp current run-up (max.)	1 A
Re-ignition time (min.) (max.)	15 min
Ignition time (max.)	30 s
Voltage (Max)	95 V
Voltage (Min)	79 V
Voltage (Nom)	87 V

### Controls and Dimming

Dimmable	no
Run-up time 90% (max.)	3 min

### Mechanical and Housing

Bulb finish	Clear
-------------	-------

# MASTERCoulor CDM-Tm Elite Mini

## Approval and Application

Energy efficiency label (EEL)	A+
Mercury (Hg) content (nom.)	4.7 mg
Energy Consumption kWh/1000 h	43 kWh

## UV

PET (NIOSH) (min.)	8 h/500lx
Damage factor D/fc (max.)	0.4

## Luminaire Design Requirements

Bulb temperature (max.)	450 °C
Cap base temperature (max.)	250 °C

## Product Data

Full product code	871829115382500
-------------------	-----------------

Order product name	MASTERCoulor CDM-Tm Elite Mini 35W/930 GU6.5 1CT
EAN/UPC – product	8718291153825
Order code	15382500
Local Code	CDMTM35930GU651
Numerator – quantity per pack	1
Numerator – packs per outer box	12
Material no. (I2NC)	928187405130
Net weight (piece)	0.008 kg
ILCOS Code	MT/UB-35/930-H-GU6.5-13.3/52

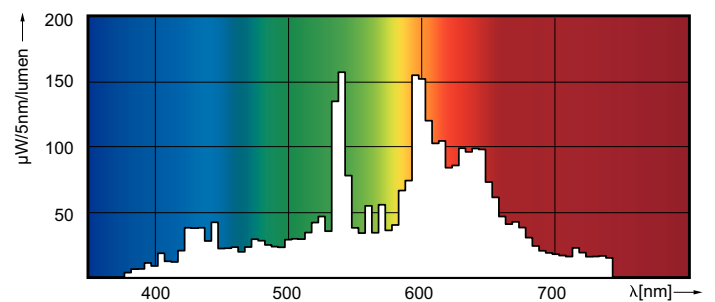
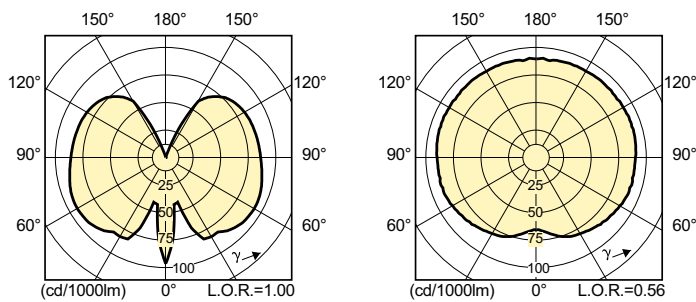
## Dimensional drawing

D

Product	D (max)	D	O	L (min)	L (max)	L	C (max)
MASTERCoulor CDM-Tm Elite Mini 35W/930 GU6.5 1CT	13.3 mm	0.5 in	4.7 mm	28 mm	32 mm	30 mm	56.7 mm

## CDM-Tm 35W/930 GU6.5

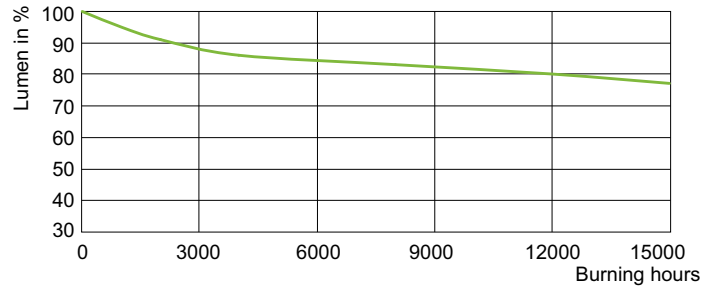
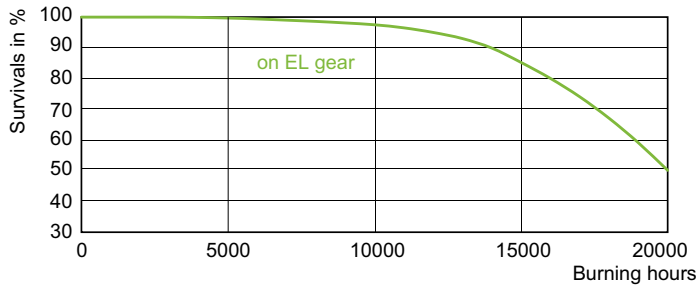
## Photometric data



LDPO\_CDM-Tm\_35W\_930\_GU65-Spectral power distribution Colour

# MASTERCcolour CDM-Tm Elite Mini

## Lifetime



LDLM\_CDM-Tm\_0001-Lumen maintenance diagram

