

PHILIPS

Lighting



MASTERColor CDM-Rm Elite Mini

MASTERColor CDM-Rm Elite Mini 20W/830 GX10 MR16 10D

The Elite family is at the very top of the MasterColor CDM range, and gives a unique combination of unbeatable light quality and consistent performance over lifetime, while keeping running costs low. The MasterColor DCM Elite MR16 combines the familiar compact shape of MR16 halogen lamps with the performance of ceramic metal halide MasterColor Elite lamps. Suited for accent/decorative lighting, general lighting and downlighting in retail applications; or for outdoor landscaping and architectural effects.

Product data

General Information			
Base	GX10 [GX10]	Luminous Flux (Rated) (Min)	900 lm
Operating Position	Universal [Universal]	Luminous Flux (Rated) (Nom)	1000 lm
Life to 5% Failures (Nom)	9000 h	Luminous Intensity (Min)	10900 cd
Life To 10% Failures (Nom)	10000 h	Luminous Intensity (Nom)	14500 cd
Life to 20% Failures (Nom)	12000 h	Beam Description	-
Life to 50% Failures (Nom)	15000 h	Lumen Maintenance 12000 h (Nom)	75 %
ANSI Code HID	C156/O	Lumen Maintenance 2000 h (Nom)	90 %
Switching Cycle	1350X	Lumen Maintenance 4000 h (Nom)	85 %
		Chromaticity Coordinate X (Nom)	0.439
		Chromaticity Coordinate Y (Nom)	0.403
		Correlated Color Temperature (Nom)	3000 K
		Luminous Efficacy (rated) (Nom)	50 lm/W
		Color Rendering Index (Min)	81
		Color Rendering Index (Nom)	84
		LLMF At End Of Nominal Lifetime (Nom)	70 %
Light Technical			
Color Code	830 [CCT of 3000K]		
Beam Angle (Nom)	10 °		
Beam Angle Technical (Nom)	9 °		
Beam Angle Technical (Max)	11 °		
Beam Angle Technical (Min)	7 °		

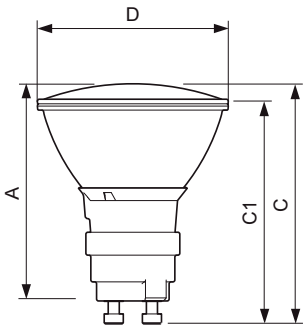
MASTERCOLOR CDM-Rm Elite Mini

Luminous Flux in 90° Cone (Rated)	900 lm
Operating and Electrical	
Power (Rated) (Nom)	20.0 W
Re-Ignition Time (Min) (Max)	15 min
Warm Up Time to 60% Light (Nom)	120 s
Ignition Time (Max)	30 s
Voltage (Max)	100 V
Voltage (Min)	90 V
Voltage (Nom)	95 V
Controls and Dimming	
Dimmable	No
Run-Up Time 90% (Max)	3 min
Approval and Application	
Energy Efficiency Label (EEL)	A
Mercury (Hg) Content (Nom)	3.5 mg
Energy Consumption kWh/1000 h	22 kWh

UV	
Pet (Niosh) (Min)	8 h/500lx
Damage Factor D/fc (Max)	0.4
Luminaire Design Requirements	
Reflector Neck Temperature (Max)	215 °C
Product Data	
Order product name	MASTERCOLOR CDM-Rm Elite Mini 20W/830 GX10 MR16 10D
EAN/UPC - Product	046677421656
Order code	421651
Numerator - Quantity Per Pack	1
Numerator - Packs per outer box	12
Material Nr. (12NC)	928191005315
Net Weight (Piece)	0.047 kg
ILCOS Code	MRS/UB-20/830-H-GX10-51/54.5/10

Warnings and Safety

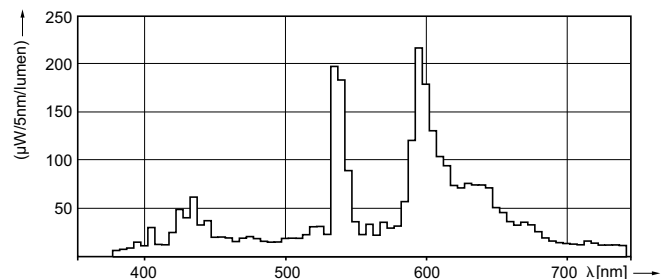
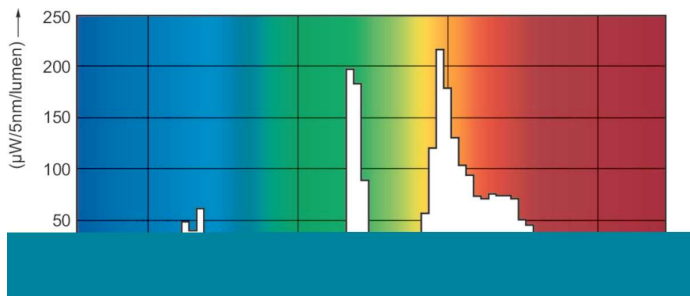
Dimensional drawing



CDM-Rm 20W/830 GX10 MR16 10D

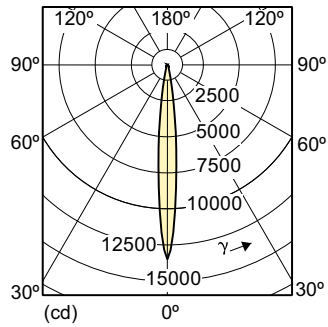
Product
MASTERCOLOR CDM-Rm Elite Mini 20W/830 GX10 MR16 10D

Photometric data



MASTERCOLOR CDM-Rm Elite Mini

Photometric data



Lifetime

