



MASTERColour CDM-R111 Elite

MASTERColour CDM-R111 Elite CDM-R111 Elite 70W/930 GX8.5 24D

MASTERColour CDM-R111 Elite combines the trendy look of 111 mm aluminium-reflector halogen lamps with the long life, high energy efficiency and crisp white light of MASTERColour CDM.

Product data

General Information	
Cap base	GX8.5 [GX8.5]
Operating position	UNIVERSAL [Any/Universal]
Life to 5% failures (nom.)	8000 h
Life to 10% failures (nom.)	9500 h
Life to 20% failures (nom.)	10500 h
Life to 50% failures (nom.)	12000 h
ANSI code HID	C139/O
Switching cycle	1050X
Light Technical	
Colour code	930 [CCT of 3.000 K]
Beam Angle (Nom)	24°
Beam angle technical	23°
Beam angle technical	28°
Beam angle technical	18°
Luminous intensity (min.)	12000 cd
Luminous intensity (nom.)	16000 cd
Beam description	Narrow Flood
Colour designation	Warm white (WW)

Lumen maintenance 12,000 hours (nom.)	70 %
Lumen maintenance 2,000 hours (nom.)	90 %
Lumen maintenance 4,000 hours (nom.)	85 %
Design mean lumens	3100 lm
Chromaticity coordinate X (nom.)	0.441
Chromaticity coordinate Y (nom.)	0.397
Correlated colour temperature (nom.)	3000 K
Luminous efficacy (rated) (nom.)	50 lm/W
Color rendering index (min.)	89
Color rendering index (nom.)	92
LLMF at end of nominal lifetime (nom.)	70 %
Luminous Flux in 90° Cone (Rated)	3550 lm
Operating and Electrical	
Power (Rated) (Nom)	73.0 W
Re-ignition time (min.) (max.)	15 min
Warm-up time to 60% light (nom.)	120 s
Ignition time (max.)	30 s
Voltage (Max)	98 V
Voltage (Min)	80 V

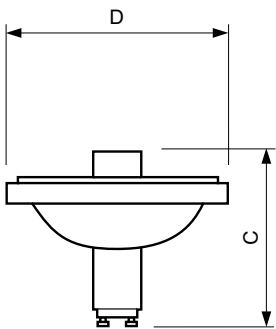
MASTERCoulour CDM-R111 Elite

Voltage (Nom)	89 V
Controls and Dimming	
Dimmable	no
Run-up time 90% (max.)	3 min
Mechanical and Housing	
Bulb finish	Reflector
Approval and Application	
Energy efficiency label (EEL)	A
Mercury (Hg) content (nom.)	6.6 mg
Energy Consumption kWh/1000 h	80 kWh

Product Data	
Full product code	871829168970600
Order product name	MASTERCoulour CDM-R111 Elite CDM-R111 Elite 70W/930 GX8.5 24D
EAN/UPC – product	8718291689706
Order code	68970600
Local Code	70CDMER11193024
Numerator – quantity per pack	1
Numerator – packs per outer box	6
Material no. (12NC)	928195705330
Net weight (piece)	96.000 g
ILCOS Code	MRS/UB-70/930-H-GX8.5-111/88/24

Warnings and Safety

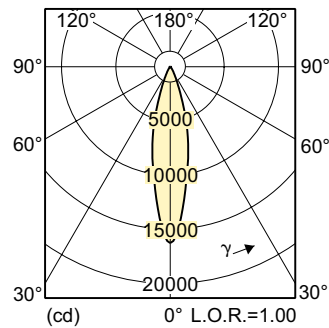
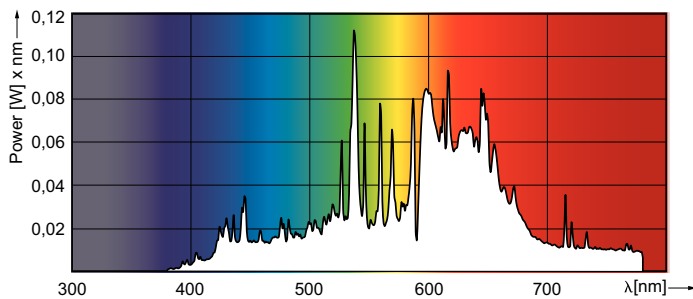
Dimensional drawing



CDM-R111 Elite 70W/930 24D

Product	D (max)	C (max)
MASTERCoulour CDM-R111 Elite CDM-R111 Elite 70W/930 GX8.5 24D	111 mm	95 mm

Photometric data



LDLD_CDMR111E_0008-Light distribution diagram

MASTERCcolour CDM-R111 Elite

