



# Fortimo LED linear light module

## Fortimo LED LLM 1800/740 15W Gen4

The Fortimo LED linear light module (LLM) system represents a breakthrough in energy-efficient LED lighting for urban and residential applications. Cutting-edge LED technology ensures peak performance, delivering energy savings with Constant Light Output without compromising on light quality and comfort. Fortimo LED LLM offers a diffused white light LED alternative to traditional frosted light sources such as (compact) fluorescent, high-pressure mercury (HPL) and high-pressure sodium (SON) lamps. Designed primarily for residential outdoor lighting applications, this reliable, upgradeable solution is also suitable for many professional indoor applications. Fortimo LED LLM is a Green Product, contains no mercury and is fully RoHS-compliant.

### Product data

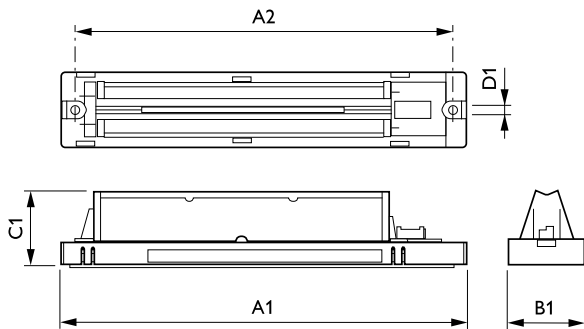
Light Technical	
Color Code	740 [ CCT of 4000K]
Luminous Flux (Nom)	1800 lm
Color Designation	Neutral White
Lumen Maintenance at End of Life	80 %
Color Consistency Initial	5
Correlated Color Temperature (Nom)	4000 K
Luminous Efficacy (rated) (Nom)	108 lm/W
Color Rendering Index (Nom)	73
Operating and Electrical	
Electrical Power Consumption (Nom)	15 W
Temperature	
T-Ambient (Max)	55 °C

T-Ambient (Min)	-20 °C
T-Storage (Max)	85 °C
T-Storage (Min)	-40 °C
T-Case Lifetime (Nom)	65 °C
T-Case Maximum (Nom)	75 °C
Controls and Dimming	
Dimmable	Yes
Product Data	
Full product code	871869643069900
Order product name	Fortimo LED LLM 1800/740 15W Gen4
EAN/UPC - Product	8718696430699
Order code	929000941706
Numerator - Quantity Per Pack	1

## Fortimo LED linear light module

Numerator - Packs per outer box	6
Material Nr. (12NC)	929000941706
Net Weight (Piece)	285.000 g

### Dimensional drawing



Fortimo LED LLM 1800/740 15W Gen 4

Product	D1	C1	A1	A2	B1
Fortimo LED LLM 1800/740 15W Gen4	4.5 mm	40.5 mm	230.0 mm	214.5 mm	43.0 mm

