



MASTER LEDcandle DiamondSpark

MASTER LEDlustre DT 4-25W E27 P48 CL

Delivering incandescent-like sparkling light effects, MASTER LEDcandle bulbs are ideal for general and decorative lighting in the hospitality industry, as well as in home environments. The dimmable MASTER LEDcandles drive further efficiencies, while helping to create the desired atmosphere. Mounted in full view in chandeliers, wall scones or modern luminaires, the clear or frosted glass bulbs fit all existing fixtures with an E14 and B15 socket. Drawing upon inputs from chandelier makers and designed to enhance the aesthetic appeal of the chandelier or luminaire, not only when lit but also when not, these lamps come in a classical slender shape with a unique, eye-catching lens design. They produce a beautiful sparkling warm light that delivers huge energy savings and minimizes maintenance cost. The flame-shaped candle lamps comes in a classical slender shape with a unique, eye-catching lens design that perfectly complements modern LED candles.

Product data

General Information	
Cap base	E27 [E27]
Nominal lifetime (nom.)	25000 h
Switching cycle	50000X
Technical type	4-25W
Light Technical	
Colour code	822-827 [tunable warm white]
Luminous flux (nom.)	250 lm
Colour designation	Warm white (WW)
Correlated colour temperature (nom.)	2200-2700 K
Luminous efficacy (rated) (nom.)	65 lm/W
Colour consistency	<6

Color rendering index (nom.)	80
LLMF at end of nominal lifetime (nom.)	70 %
Operating and Electrical	
Input frequency	50 to 60 Hz
Power (Rated) (Nom)	4 W
Lamp current (nom.)	25 mA
Wattage equivalent	25 W
Starting time (nom.)	0.5 s
Warm-up time to 60% light (nom.)	instant full light
Power factor (nom.)	0.7
Voltage (Nom)	220-240 V

MASTER LEDcandle DiamondSpark

Temperature

T-Case maximum (nom.)	85 °C
-----------------------	-------

Controls and Dimming

Dimmable	yes
----------	-----

Mechanical and Housing

Bulb finish	Clear
-------------	-------

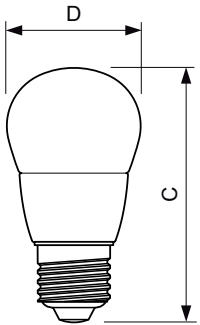
Approval and Application

Energy efficiency label (EEL)	A+
Suitable for accent lighting	No
Energy Consumption kWh/1000 h	4 kWh

Product Data

Full product code	871869645380300
Order product name	MASTER LEDlustre DT 4-25W E27 P48 CL
EAN/UPC – product	8718696453803
Order code	45380300
Local Code	MLED3WLUSD27
Numerator – quantity per pack	1
Numerator – packs per outer box	10
Material no. (12NC)	929001140102
Net weight (piece)	0.072 kg

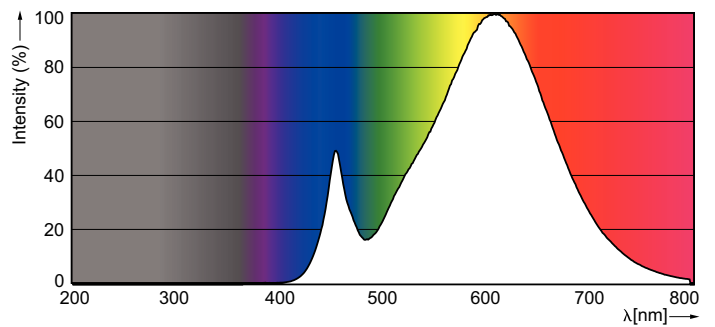
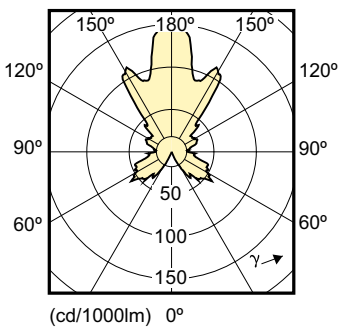
Dimensional drawing



LED DT 4-25W E27 P48 CL

Product	D	C
MASTER LEDlustre DT 4-25W E27 P48 CL	48 mm	93 mm

Photometric data



MASTER LEDcandle DiamondSpark

