



# MASTER LEDcandle DiamondSpark

## MASTER LEDlustre DT 6-40W E14 P48 CL

Delivering incandescent-like sparkling light effects, MASTER LEDcandle bulbs are ideal for general and decorative lighting in the hospitality industry, as well as in home environments. The dimmable MASTER LEDcandles drive further efficiencies, while helping to create the desired atmosphere. Mounted in full view in chandeliers, wall scones or modern luminaires, the clear or frosted glass bulbs fit all existing fixtures with an E14 and B15 socket. Drawing upon inputs from chandelier makers and designed to enhance the aesthetic appeal of the chandelier or luminaire, not only when lit but also when not, these lamps come in a classical slender shape with a unique, eye-catching lens design. They produce a beautiful sparkling warm light that delivers huge energy savings and minimizes maintenance cost. The flame-shaped candle lamps comes in a classical slender shape with a unique, eye-catching lens design that perfectly complements modern LED candles.

### Product data

General Information	
Cap base	E14 [ E14]
Nominal lifetime (nom.)	25000 h
Switching cycle	50000X
Technical type	6-40W
Light Technical	
Colour code	822-827 [ tunable warm white]
Luminous flux (nom.)	470 lm
Colour designation	Warm white (WW)
Correlated colour temperature (nom.)	2200-2700 K
Luminous efficacy (rated) (nom.)	75 lm/W
Colour consistency	<6

Color rendering index (nom.)	80
LLMF at end of nominal lifetime (nom.)	70 %
Operating and Electrical	
Input frequency	50 to 60 Hz
Power (Rated) (Nom)	6 W
Lamp current (nom.)	35 mA
Wattage equivalent	40 W
Starting time (nom.)	0.5 s
Warm-up time to 60% light (nom.)	instant full light
Power factor (nom.)	0.7
Voltage (Nom)	220-240 V

# MASTER LEDcandle DiamondSpark

## Temperature

T-Case maximum (nom.) 95 °C

## Controls and Dimming

Dimmable yes

## Mechanical and Housing

Bulb finish Clear

## Approval and Application

Energy efficiency label (EEL) A+

Suitable for accent lighting No

Energy Consumption kWh/1000 h 6 kWh

## Product Data

Full product code 871869645358200

Order product name MASTER LEDlustre DT 6-40W E14 P48 CL

EAN/UPC – product 8718696453582

Order code 45358200

Local Code MLED6WLUSD14

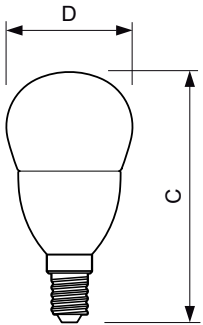
Numerator – quantity per pack 1

Numerator – packs per outer box 10

Material no. (12NC) 929001140602

Net weight (piece) 0.072 kg

## Dimensional drawing

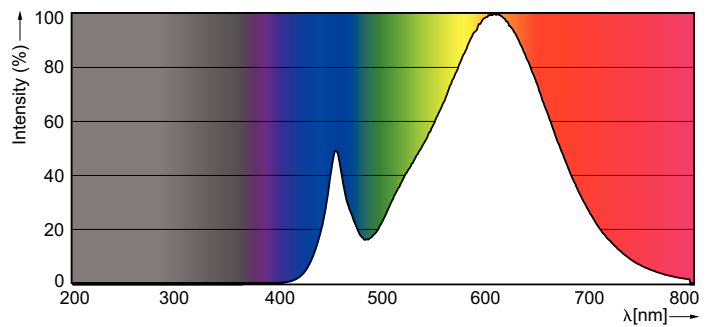
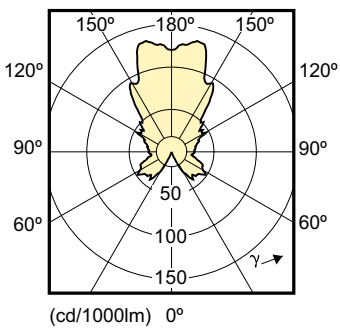


LED DT 6-40W E14 P48 CL

## Product

MASTER LEDlustre DT 6-40W E14 P48 CL

## Photometric data



Lightcolour /827

## MASTER LEDcandle DiamondSpark

